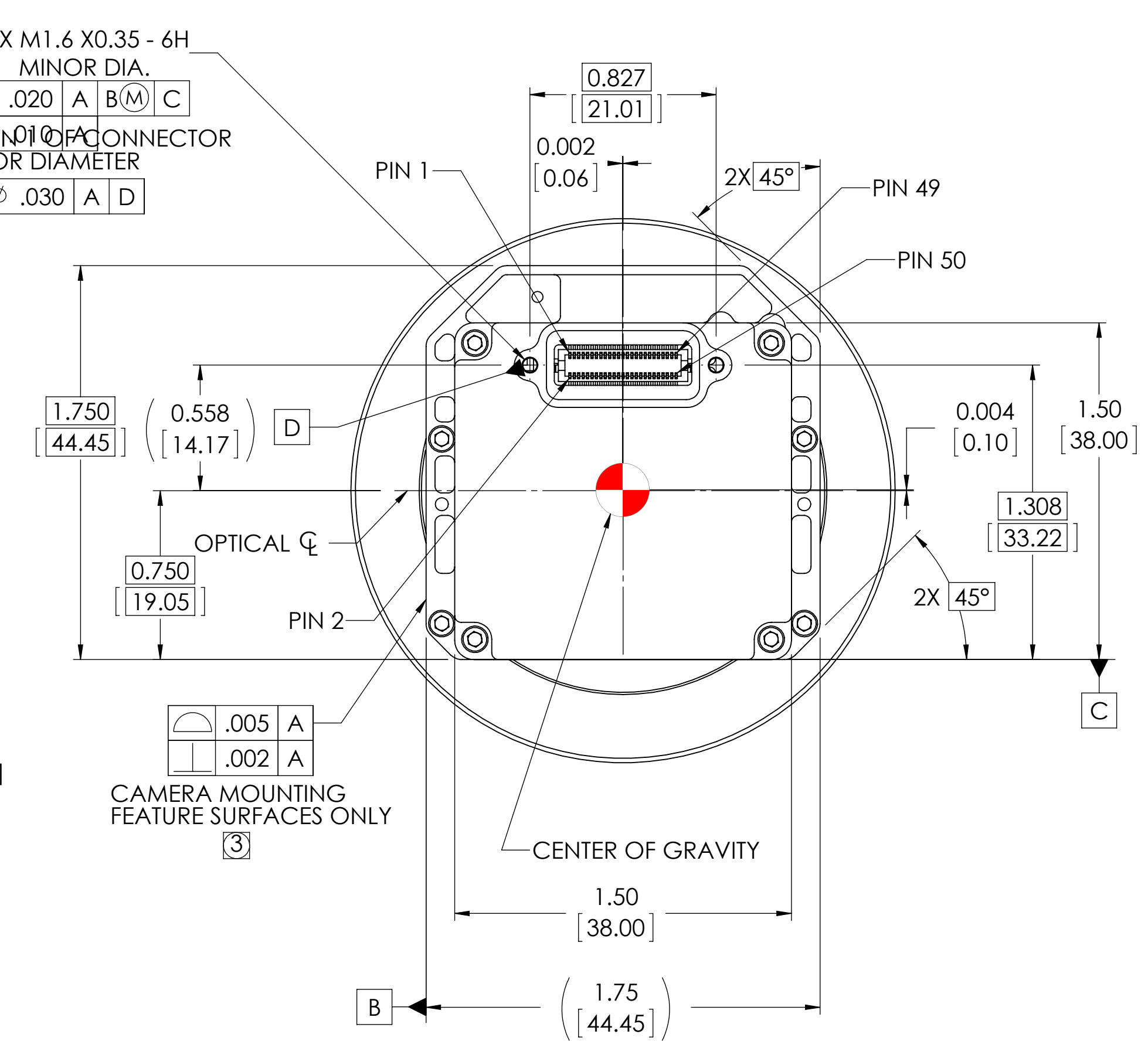
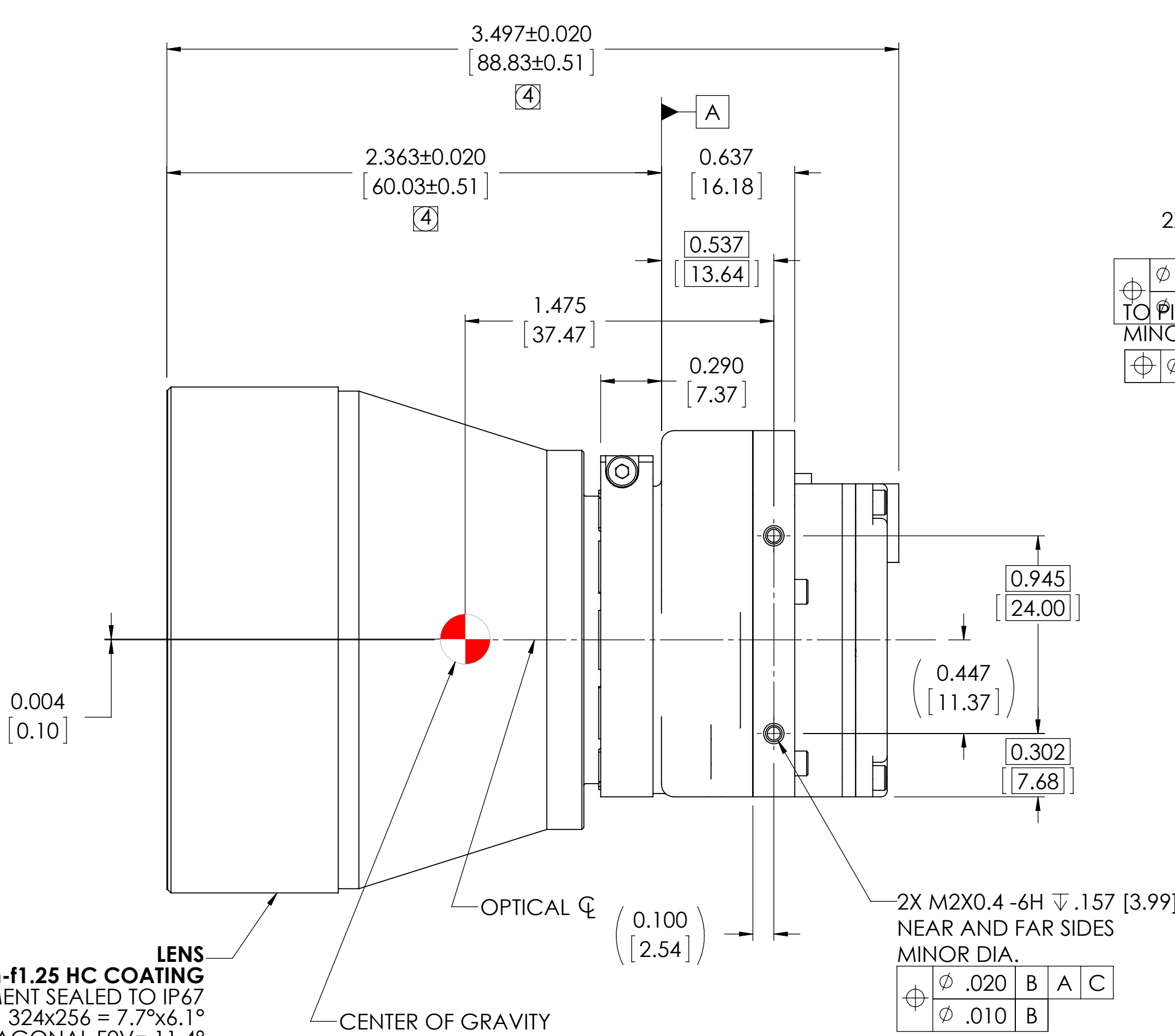
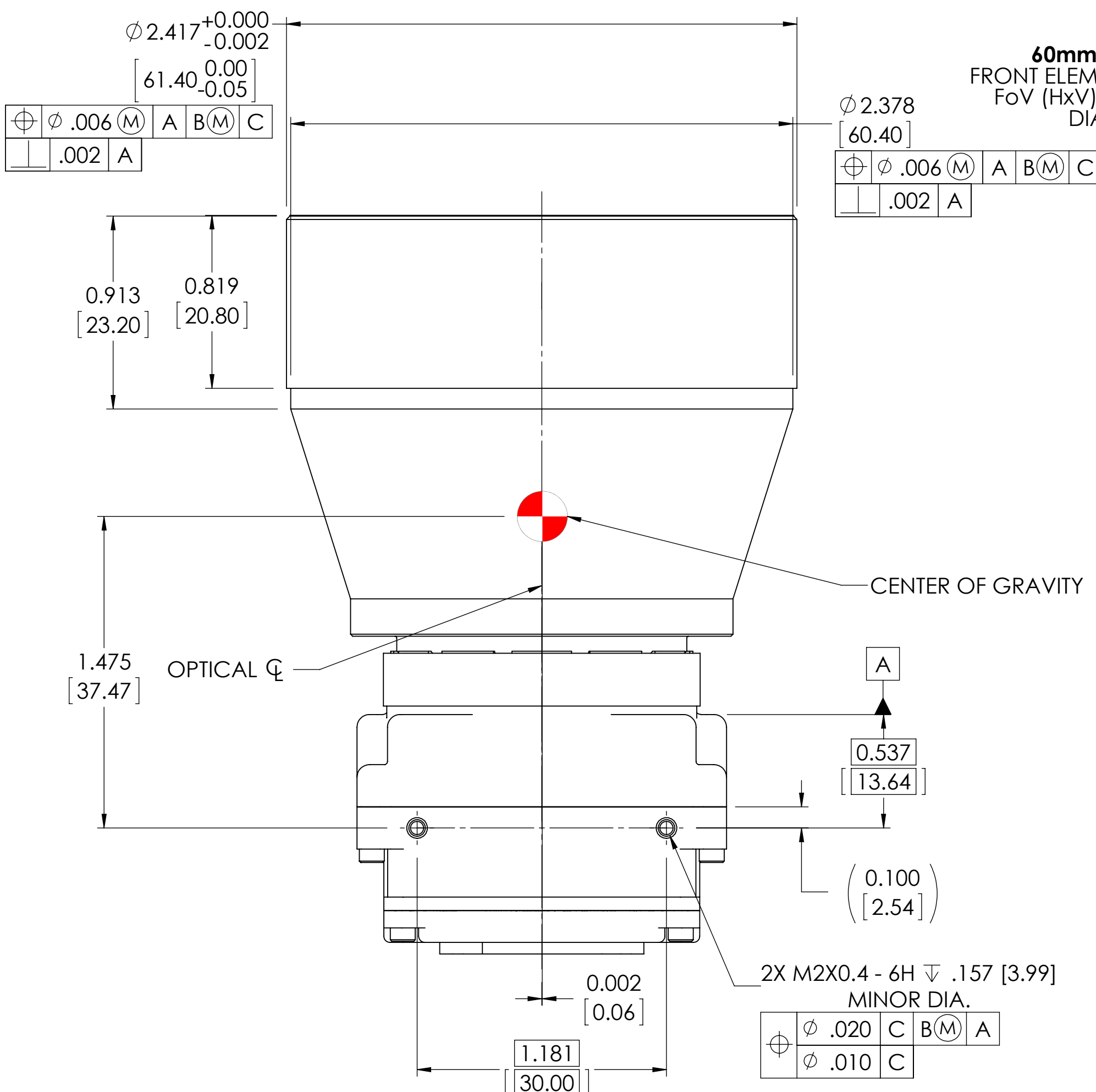
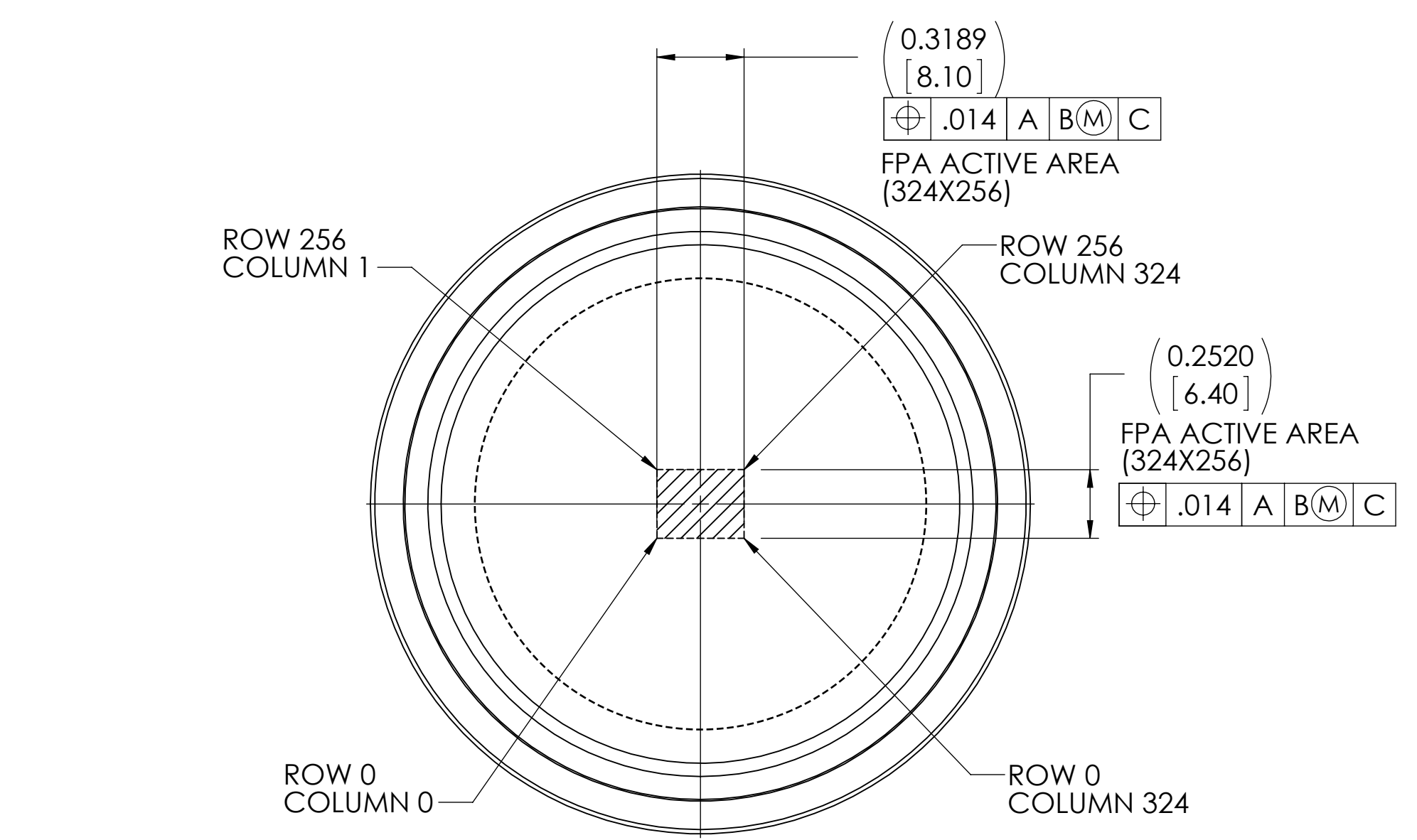


REVISIONS				
ZONE	REV	DESCRIPTION	DATE	APPROVED
	100	RELEASED PER ECN 120869	04/16/2013	

NOTES: UNLESS OTHERWISE SPECIFIED

- INDICATED DIMENSIONS ARE FOR AN ARRAY SIZE OF 324x256.
- CONNECTOR INTERFACE: HIROSE 50 PIN DF12-50DS-0.5V(86). MATING CONNECTOR P/N DF12(5.0)-50DP-0.5V(86). FOR PIN-OUT DESIGNATIONS SEE TAU CAMERA USERS MANUAL.
- INDICATED TOLERANCES APPLY TO CAMERA MOUNTING SURFACES ONLY. OTHER SURFACES ARE CAST AND HAVE DRAFT.
- INDICATED ALLOWABLE TRAVEL FOR FOCUS.
- CAMERA WEIGHT NO LENS: 52.1 GRAMS, LENS WEIGHT, 60mm-f1.25: 213.2 GRAMS  
TOTAL CAMERA WEIGHT: 265.3 GRAMS
- PLEASE NOTE TAU 2 CAMERA (46-) USES NEW ATHERMALIZED LENS. ORIGINAL TAU USES OLDER DESIGN. PLEASE SEE TAU IDD (41-) FOR DIMENSIONAL AND WEIGHT CHANGES.



<p>THIRD ANGLE PROJECTION</p>	<p>PROPRIETARY - FLIR SYSTEMS, INC.</p> <p>THIS DOCUMENT CONTAINS PROPRIETARY INFORMATION TO FLIR SYSTEMS, INC. THIS INFORMATION MUST BE MAINTAINED IN CONFIDENCE AND USED ONLY IN A MANNER CONSISTENT WITH THE DOCUMENTATION AND ANY EXECUTED NON DISCLOSURE AGREEMENT, AND MAY NOT BE DISCLOSED TO ANY THIRD PERSON WITHOUT FLIR'S WRITTEN CONSENT.</p>			
	<p>THIS DOCUMENT IS CONTROLLED TO FLIR TECHNOLOGY LEVEL 1. THE INFORMATION CONTAINED IN THIS DOCUMENT PERTAINS TO A DUAL USE PRODUCT CONTROLLED FOR EXPORT BY THE EXPORT ADMINISTRATION REGULATIONS (EAR). DIVERSION CONTRARY TO US LAW IS PROHIBITED. US DEPARTMENT OF COMMERCE AUTHORIZATION IS NOT REQUIRED PRIOR TO EXPORT OR TRANSFER TO FOREIGN PERSONS OR PARTIES UNLESS OTHERWISE PROHIBITED.</p>			
<p>INTERPRET DRAWING PER ASME Y14.5M-1994</p> <p>UNLESS OTHERWISE SPECIFIED SURFACE ROUGHNESS 32</p> <p>X = ±.1 .XX = ±.01 .XXX = ±.005 ANGULAR = ±.5° FILLET RADII = .005 MAX</p>	<p>MATERIAL</p> <p>FINISH</p> <p>UNLESS OTHERWISE SPECIFIED ALL MEASUREMENTS ARE IN INCHES. ALL DIMENSIONS IN [ ] ARE MM. DO NOT SCALE DRAWING.</p> <p>CALC WT: 263.5 g</p>	<p>PROJECT NO.</p> <p>APPROVALS</p> <p>DATE</p> <p>DWN M. HOPKINS 10/17/11</p> <p>CHK</p> <p>DSGN</p> <p>ENG</p> <p>APP</p>	<p>FLIR Systems, Inc. 70 Castilian Drive Goleta, CA 93117</p> <p>TITLE</p> <p><b>IDD, TAU 2 CAMERA, 60mm-f1.25, 25um 324x256</b></p> <p>SIZE D CAGE 064Y2 DWG NO. 46-324,60mm-f1.25 REV 100</p> <p>SCALE 2:1 PRINTED: 5/7/2013 SHEET 1 OF 2</p>	<p>SOLIDWORKS MODEL: 46-Tau Camera Core MODEL REVISION: L</p>

DWG NO. 46-324,60mm-f1.25 SH 1 REV 100

A

D

D

C

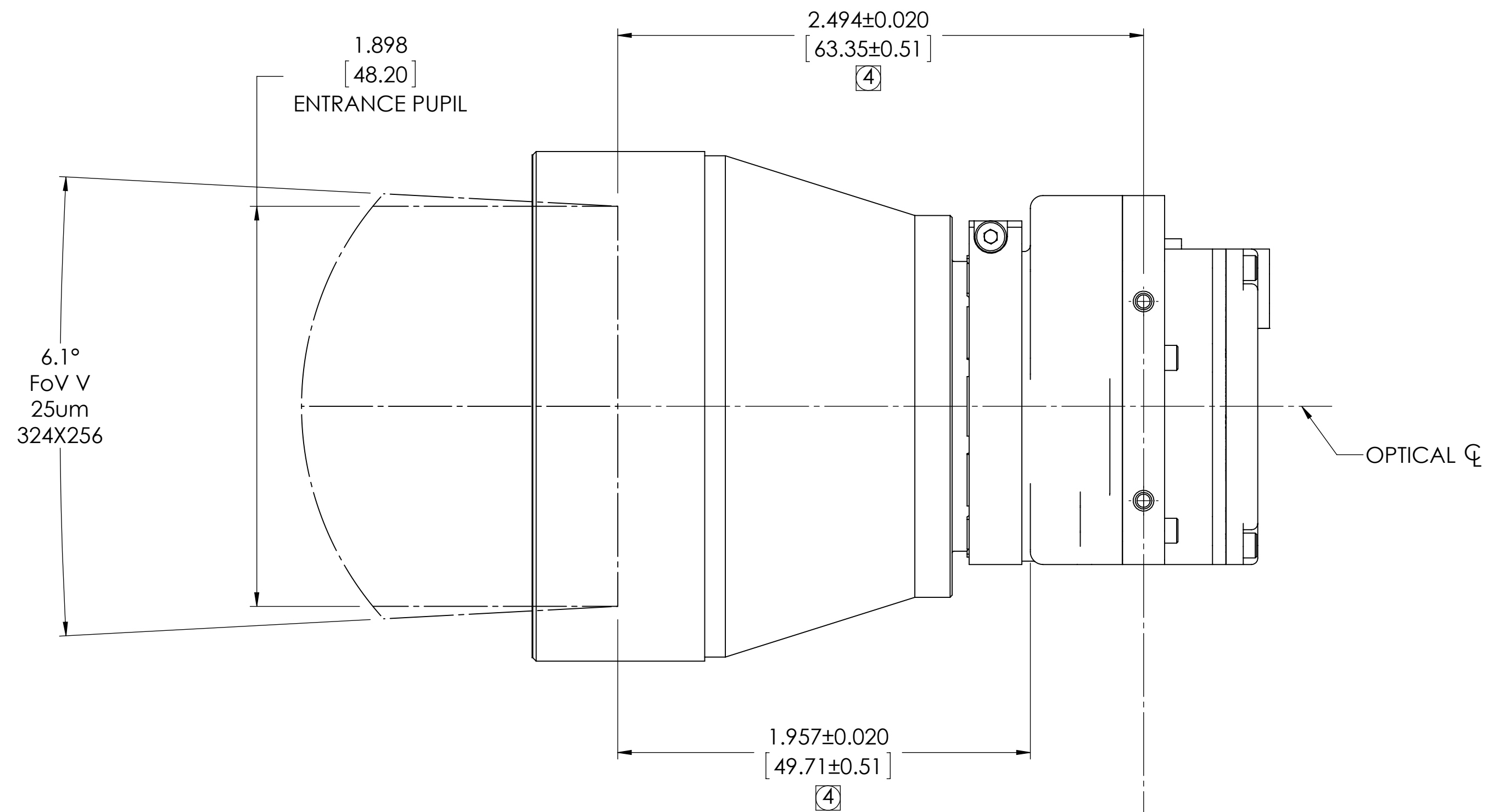
C

B

B

A

A



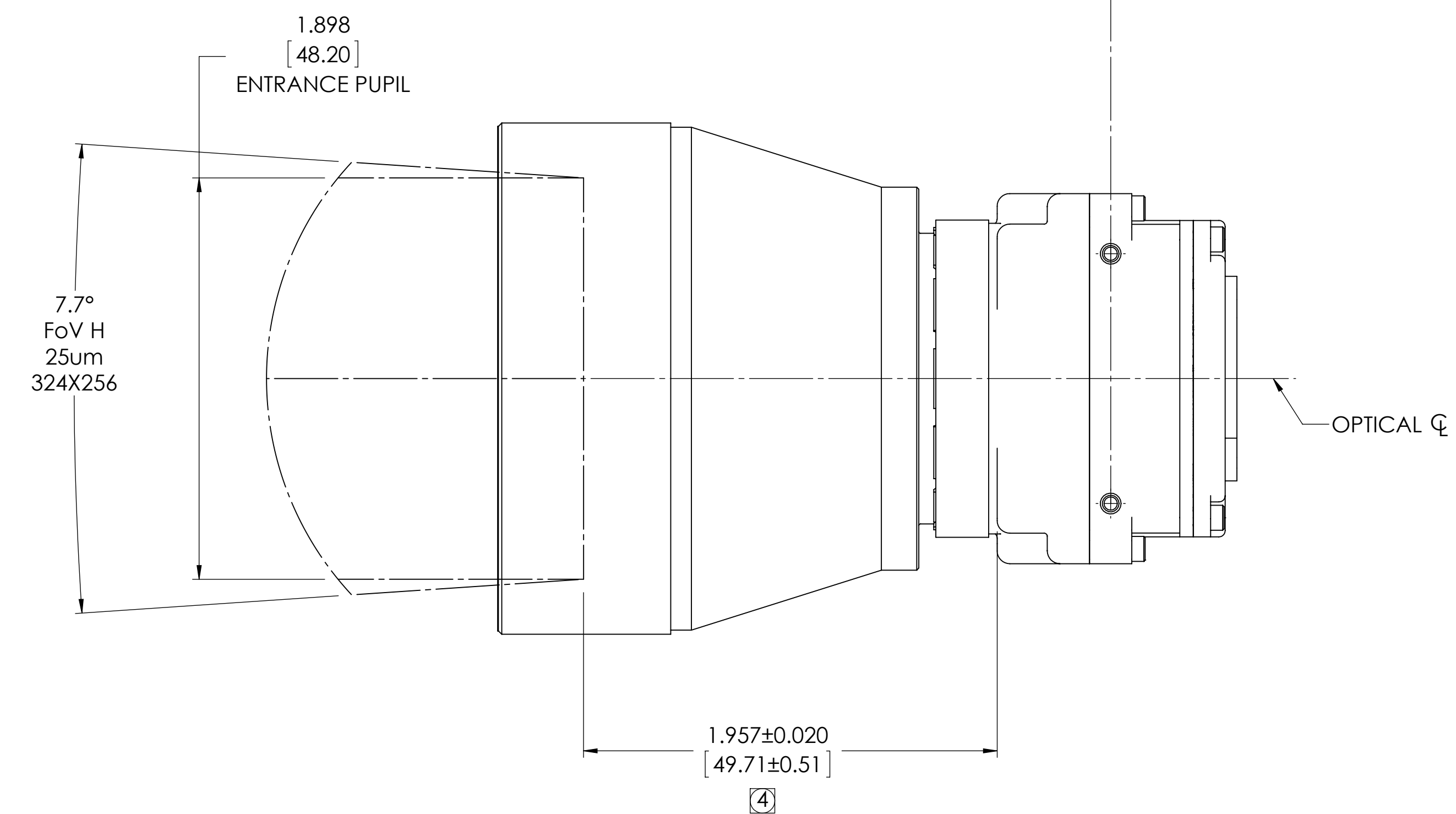
6.1°  
FoV V  
25um  
324X256

1.898  
[48.20]  
ENTRANCE PUPIL

2.494±0.020  
[63.35±0.51]  
④

1.957±0.020  
[49.71±0.51]  
④

OPTICAL C



7.7°  
FoV H  
25um  
324X256

1.898  
[48.20]  
ENTRANCE PUPIL

1.957±0.020  
[49.71±0.51]  
④

OPTICAL C

60 mm-f1.25  
324x256 ARRAY

IDD, TAU 2 CAMERA,  
60mm-f1.25, 25um 324x256

PROPRIETARY - FLIR SYSTEMS, INC.

THIS DOCUMENT IS CONTROLLED TO FLIR TECHNOLOGY LEVEL 1. THE INFORMATION CONTAINED IN THIS DOCUMENT PERTAINS TO A DUAL USE PRODUCT CONTROLLED FOR EXPORT BY THE EXPORT ADMINISTRATION REGULATIONS (EAR). DIVERSION CONTRARY TO US LAW IS PROHIBITED. US DEPARTMENT OF COMMERCE AUTHORIZATION IS NOT REQUIRED PRIOR TO EXPORT OR TRANSFER TO FOREIGN PERSONS OR PARTIES UNLESS OTHERWISE PROHIBITED.

	FLIR Systems, Inc. 70 Castilian Drive Goleta, CA 93117	SIZE	CAGE	DWG NO.	REV
		D	064Y2	46-324,60mm-f1.25	100
SCALE 2:1		PRINTED: 5/7/2013	SHEET 2 OF 2		

SOLIDWORKS MODEL: 46-Tau Camera Core  
MODEL REVISION: 1