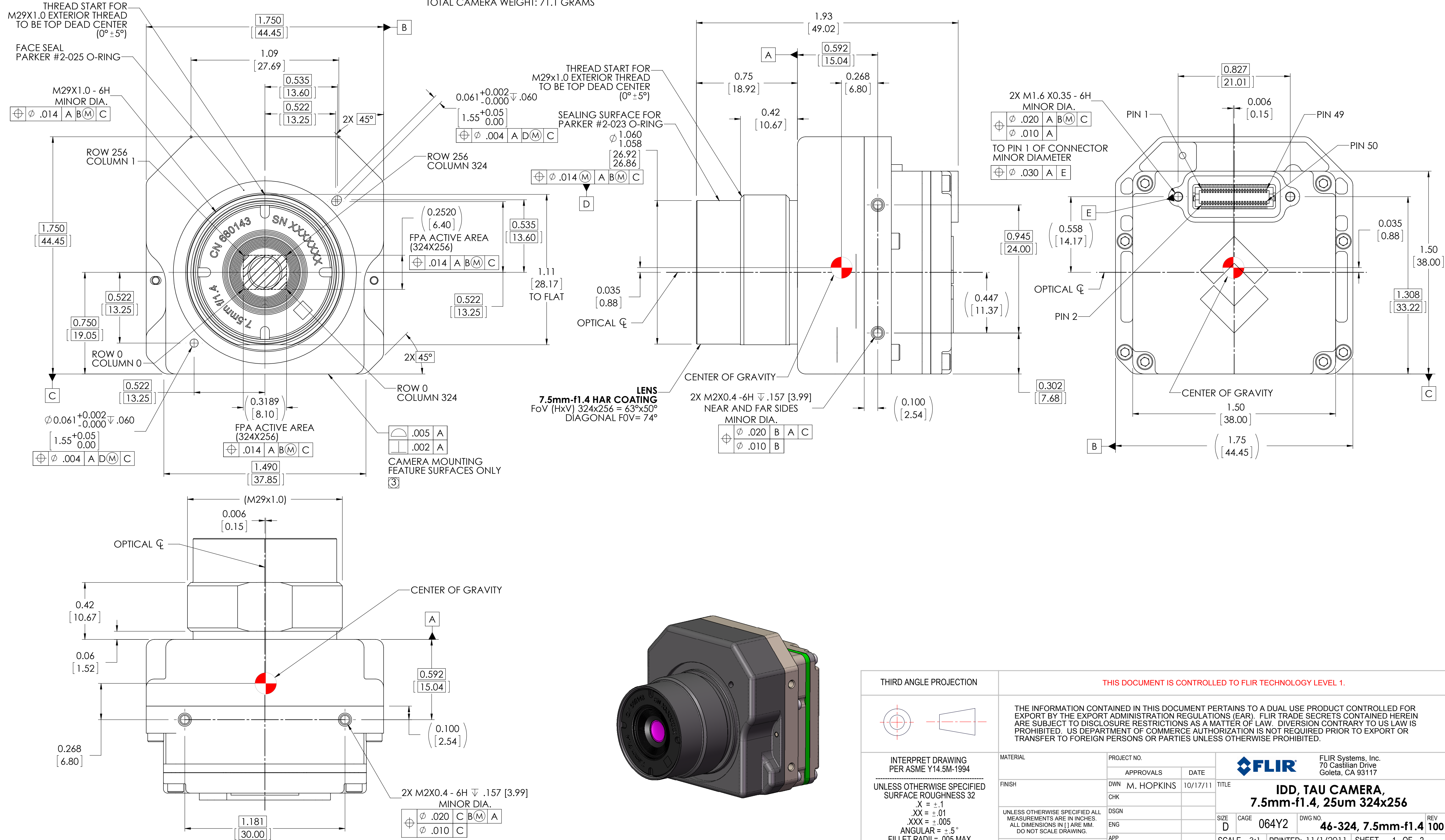


NOTES: UNLESS OTHERWISE SPECIFIED

- INDICATED DIMENSIONS ARE FOR AN ARRAY SIZE OF 324x256.
- CONNECTOR INTERFACE: HIROSE 50 PIN DF12-50DS-0.5V(86). MATING CONNECTOR P/N DF12(5.0)-50DP-0.5V(86). FOR PIN-OUT DESIGNATIONS SEE TAU CAMERA USERS MANUAL.
- INDICATED TOLERANCES APPLY TO CAMERA MOUNTING SURFACES ONLY. OTHER SURFACES ARE CAST AND HAVE DRAFT.
- INDICATED ALLOWABLE TRAVEL FOR FOCUS.
- CAMERA WEIGHT NO LENS: 50.5 GRAMS, LENS WEIGHT, 7.5mm-f1.4: 20.6 GRAMS
TOTAL CAMERA WEIGHT: 71.1 GRAMS

| REVISIONS | | | | |
|-----------|-----|-------------------------|----------|----------|
| ZONE | REV | DESCRIPTION | DATE | APPROVED |
| | 100 | INITIAL RELEASE ECN TBD | 10/17/11 | BC |



| | | | | |
|---|----------------|---|--|---------------------------------|
| THIRD ANGLE PROJECTION | | THIS DOCUMENT IS CONTROLLED TO FLIR TECHNOLOGY LEVEL 1. | | |
| | | THE INFORMATION CONTAINED IN THIS DOCUMENT PERTAINS TO A DUAL USE PRODUCT CONTROLLED FOR EXPORT BY THE EXPORT ADMINISTRATION REGULATIONS (EAR). FLIR TRADE SECRETS CONTAINED HEREIN ARE SUBJECT TO DISCLOSURE RESTRICTIONS AS A MATTER OF LAW. DIVERSION CONTRARY TO US LAW IS PROHIBITED. US DEPARTMENT OF COMMERCE AUTHORIZATION IS NOT REQUIRED PRIOR TO EXPORT OR TRANSFER TO FOREIGN PERSONS OR PARTIES UNLESS OTHERWISE PROHIBITED. | | |
| INTERPRET DRAWING PER ASME Y14.5M-1994 UNLESS OTHERWISE SPECIFIED SURFACE ROUGHNESS 32 X = ±.1 .XX = ±.01 .XXX = ±.005 ANGULAR = ±.5° FILLET RADII = .005 MAX | MATERIAL | PROJECT NO. | FLIR Systems, Inc. 70 Castilian Drive Goleta, CA 93117 | |
| | FINISH | APPROVALS | DATE | TITLE |
| UNLESS OTHERWISE SPECIFIED ALL MEASUREMENTS ARE IN INCHES. ALL DIMENSIONS IN [] ARE MM. DO NOT SCALE DRAWING. | DWN M. HOPKINS | 10/17/11 | IDD, TAU CAMERA, 7.5mm-f1.4, 25um 324x256 | |
| CALC WT: 71.10 GRAMS | CHK | | SIZE D | CAGE 064Y2 |
| | DSGN | | DWG NO. | 46-324, 7.5mm-f1.4 100 |
| | ENG | | REV | 100 |
| | APP | | SCALE 3:1 | PRINTED: 11/1/2011 SHEET 1 OF 2 |
| | | | SOLIDWORKS MODEL: 46-Tau Camera Core MODEL REVISION: B-WC | |

D

D

C

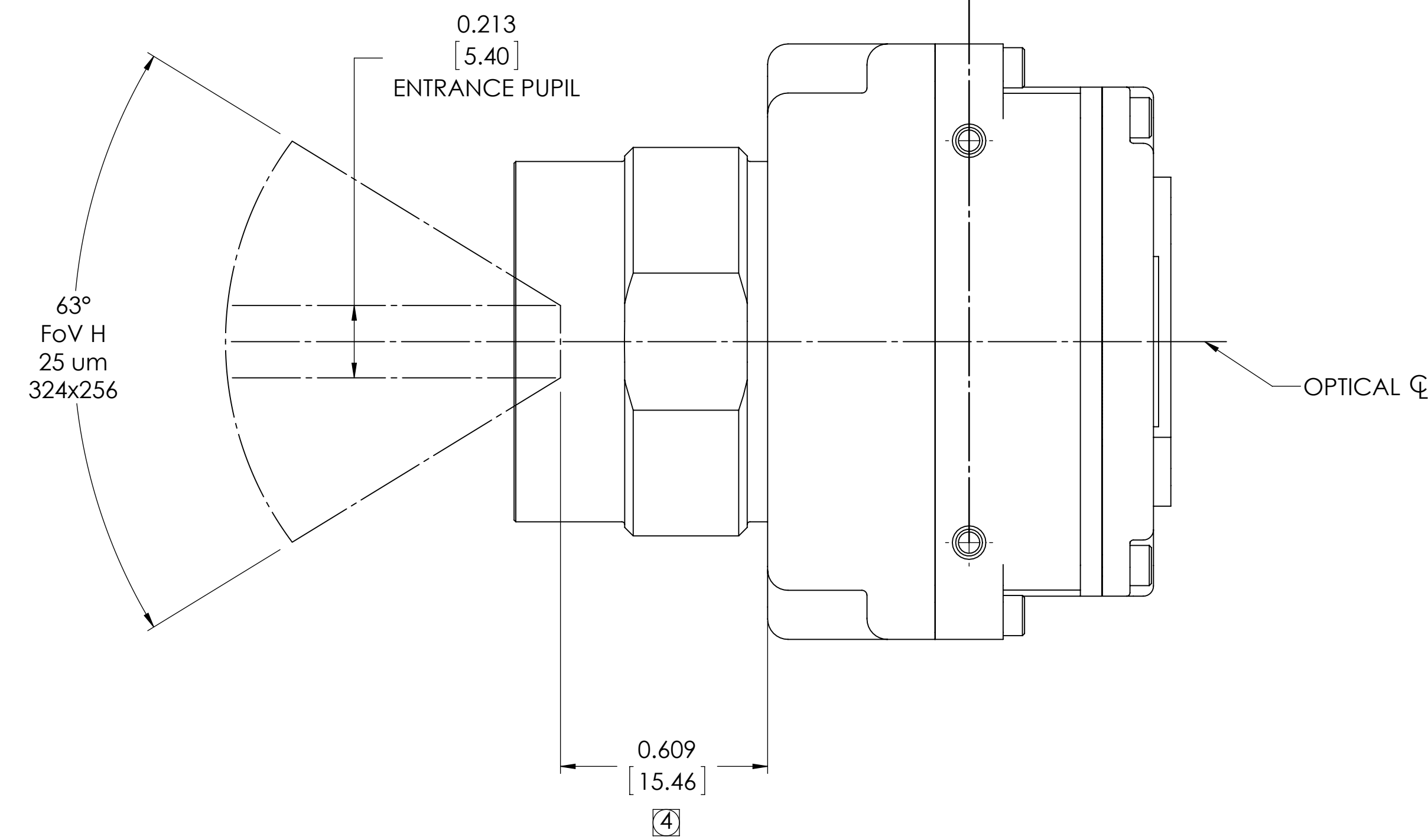
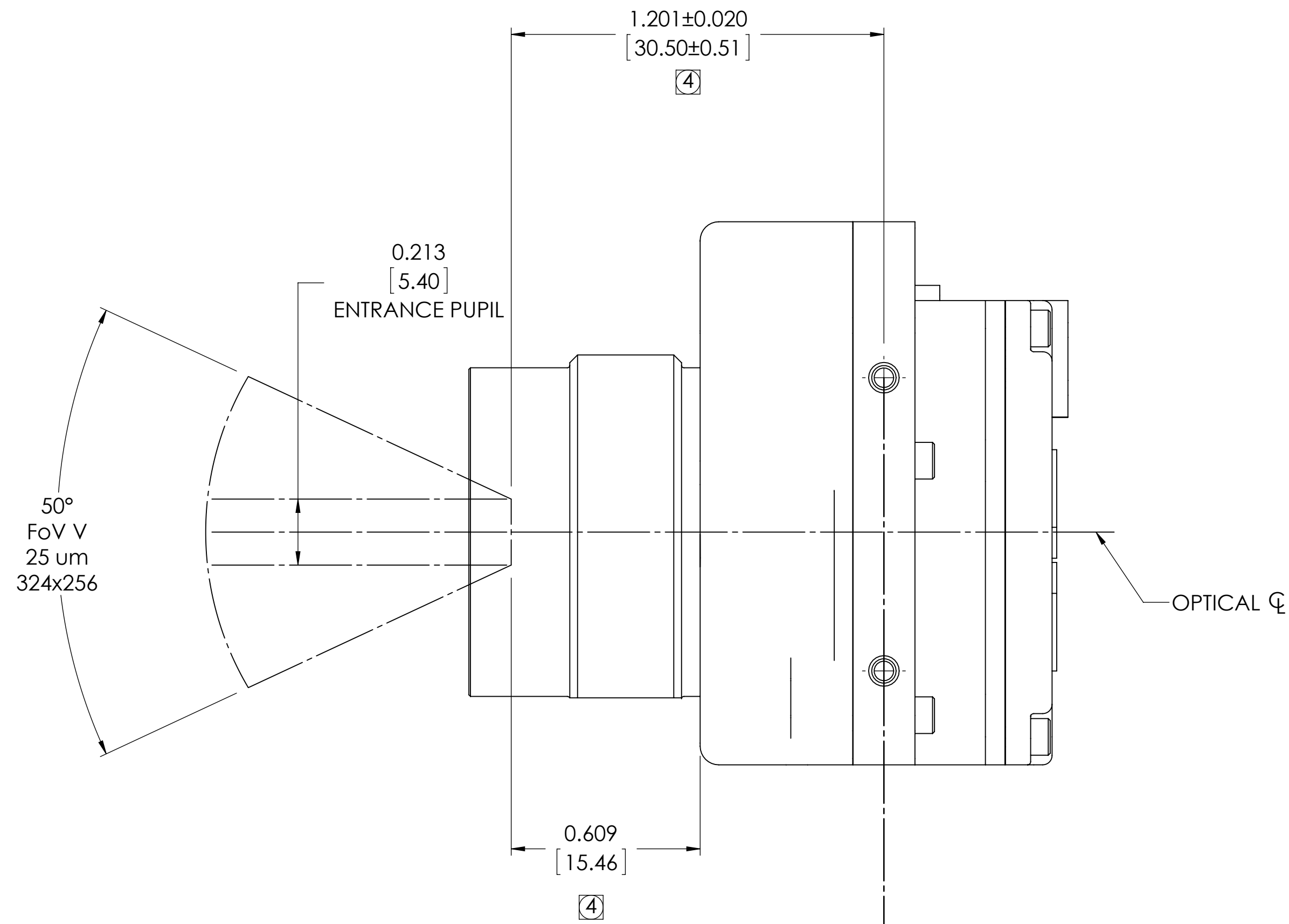
C

B

B

A

A



7.5 mm-f1.4
324x 256 ARRAY

IDD, TAU CAMERA,
7.5mm-f1.4, 25um 324x256

| | | | |
|--|---------------|-------------------------------|--------------|
| SIZE D | CAGE 064Y2 | DWG NO. 46-324, 7.5mm-f1.4 | REV 100 |
| SCALE 3:1 | | PRINTED: 11/1/2011 | SHEET 2 OF 2 |
| SOLIDWORKS MODEL: 46-Tau Camera Core MODEL REVISION: B-WC | | | |

DWG NO. 46-324, 7.5mm-f1.4 SH 2 REV 100