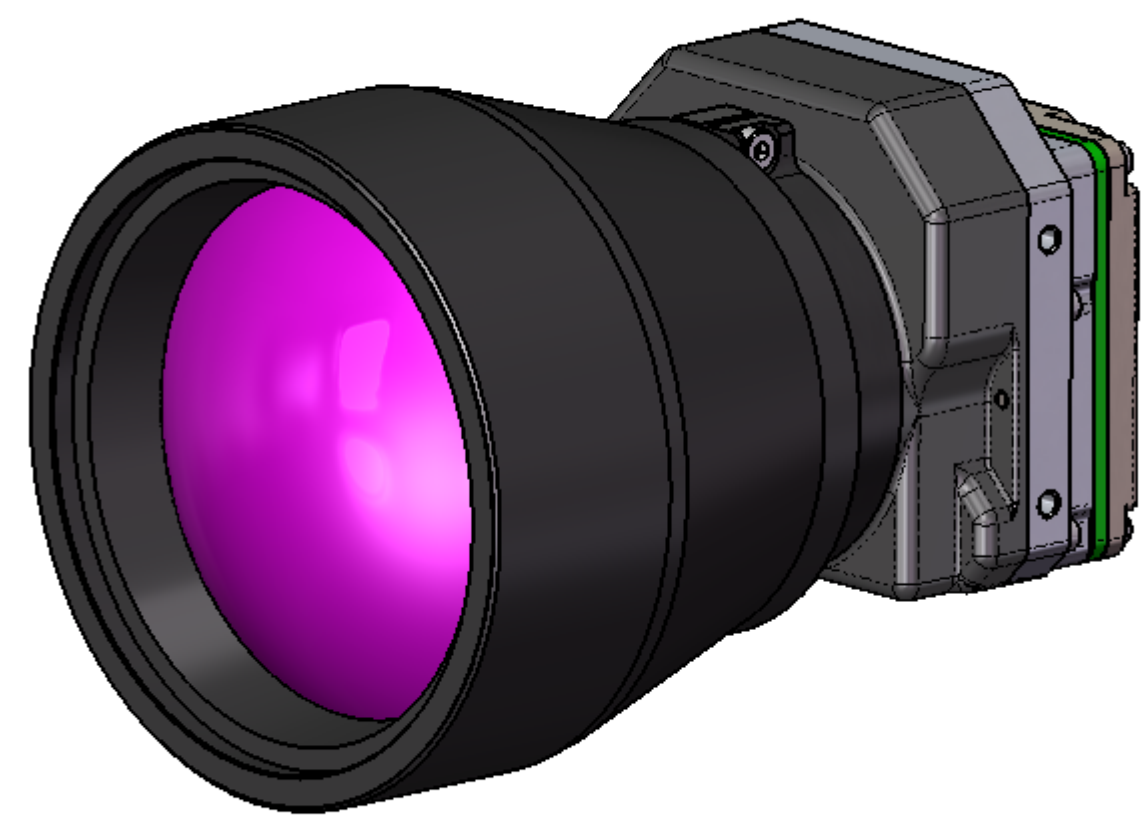
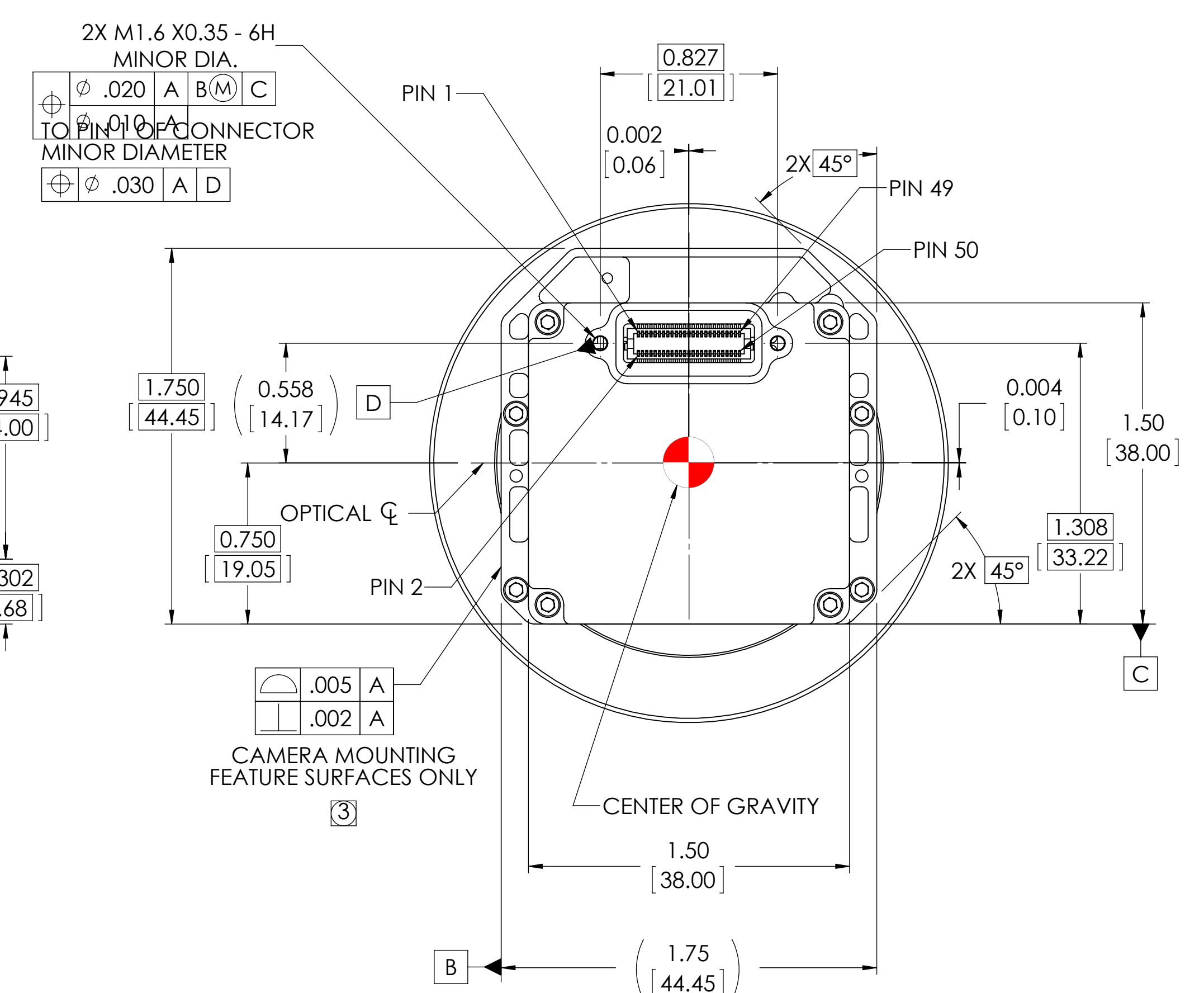
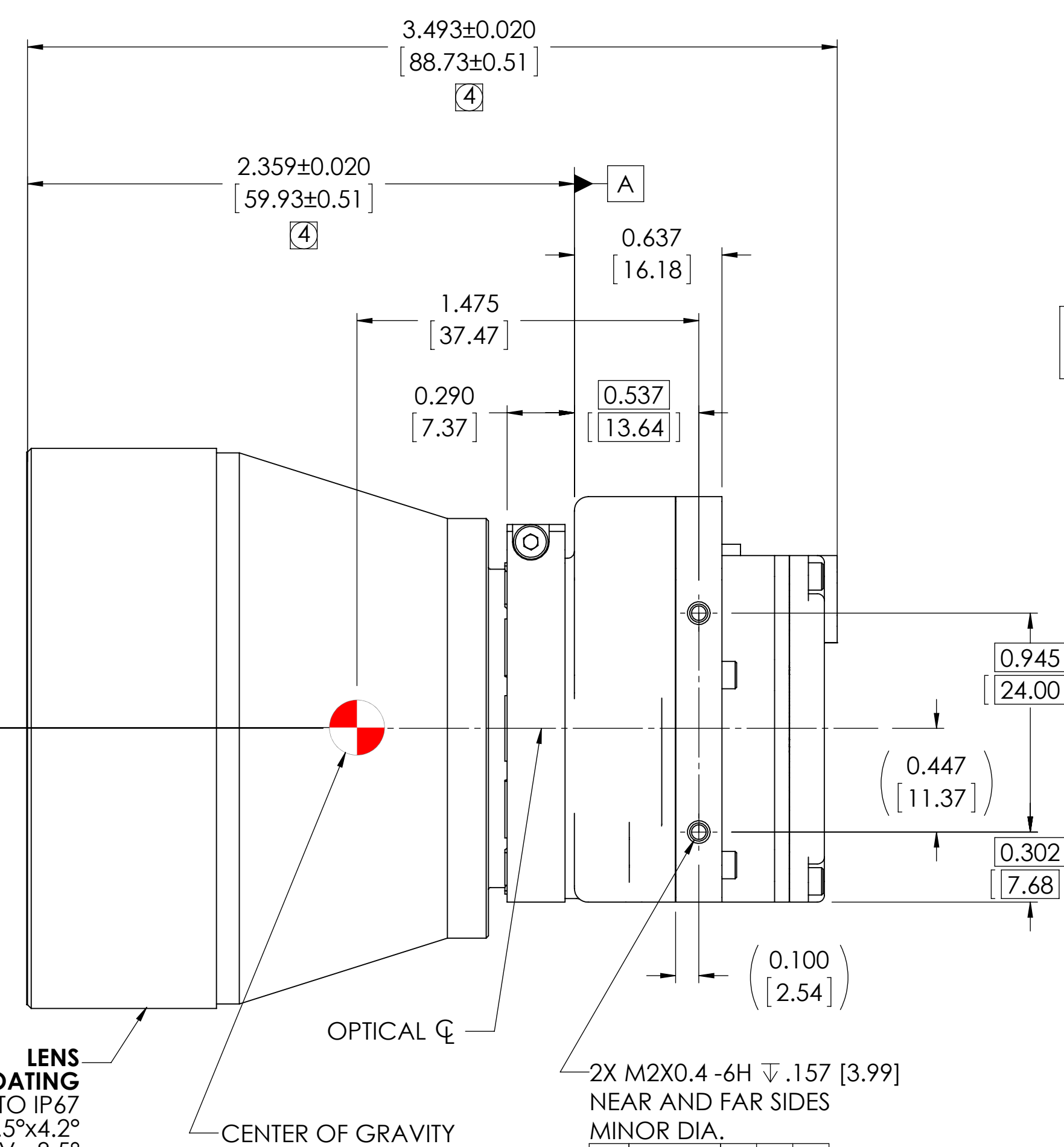
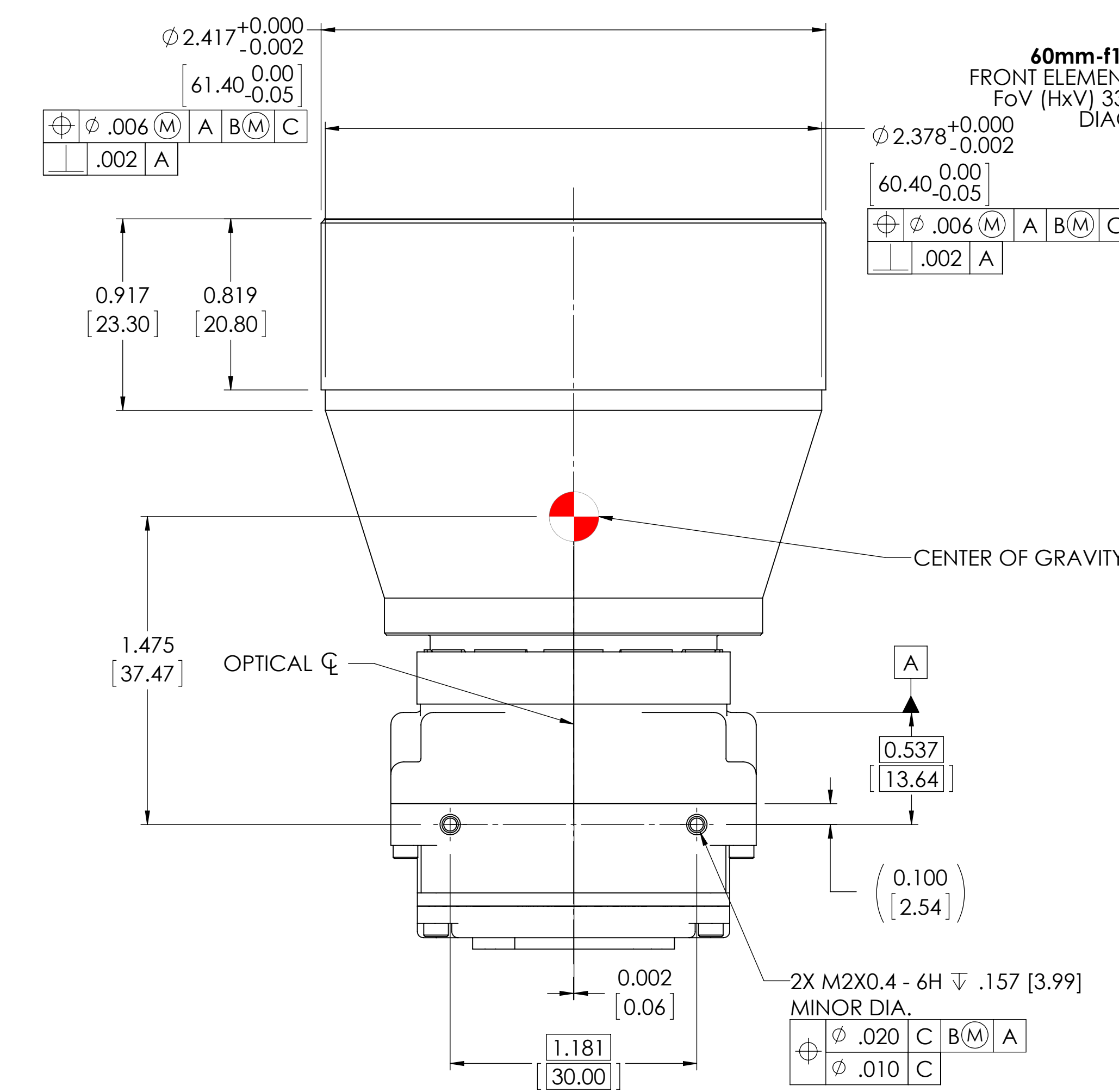
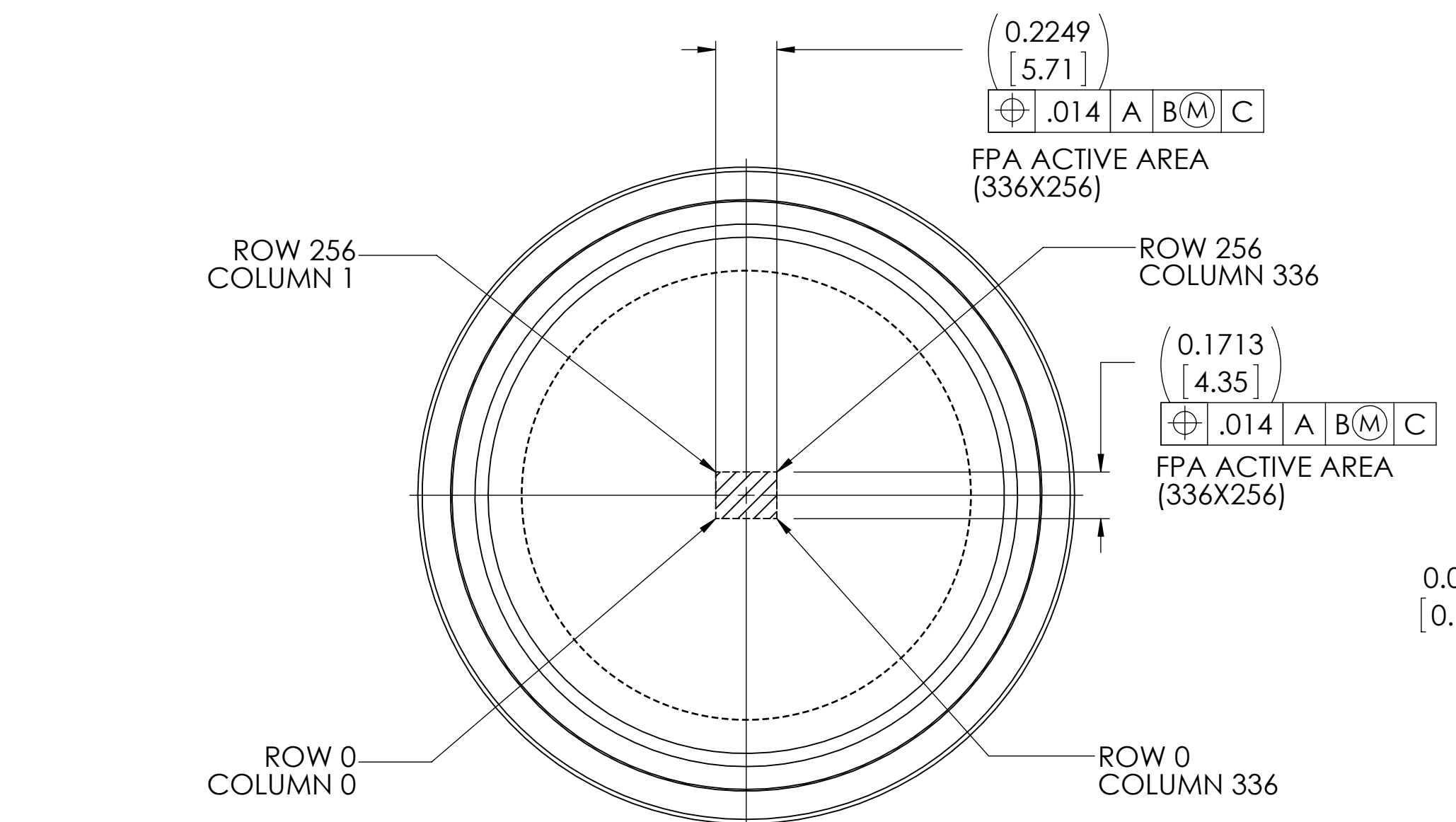


REVISIONS				
ZONE	REV	DESCRIPTION	DATE	APPROVED
	100	RELEASED PER ECN 120869	04/16/2013	BC

NOTES: UNLESS OTHERWISE SPECIFIED

- INDICATED DIMENSIONS ARE FOR AN ARRAY SIZE OF 336x256.
- CONNECTOR INTERFACE: HIROSE 50 PIN DF12-50DS-0.5V(86). MATING CONNECTOR P/N DF12(5.0)-50DP-0.5V(86). FOR PIN-OUT DESIGNATIONS SEE TAU CAMERA USERS MANUAL.
- INDICATED TOLERANCES APPLY TO CAMERA MOUNTING SURFACES ONLY. OTHER SURFACES ARE CAST AND HAVE DRAFT.
- INDICATED ALLOWABLE TRAVEL FOR FOCUS.
- CAMERA WEIGHT NO LENS: 52.1 GRAMS, LENS WEIGHT, 60mm-f1.25: 213.2 GRAMS TOTAL CAMERA WEIGHT: 265.3 GRAMS
- PLEASE NOTE TAU 2 CAMERA (46-) USES NEW ATHERMALIZED LENS. ORIGINAL TAU USES OLDER DESIGN. PLEASE SEE TAU IDD (41-) FOR DIMENSIONAL AND WEIGHT CHANGES.



<p>THIRD ANGLE PROJECTION</p>	<p>PROPRIETARY - FLIR SYSTEMS, INC.</p> <p>THIS DOCUMENT CONTAINS PROPRIETARY INFORMATION TO FLIR SYSTEMS, INC. THIS INFORMATION MUST BE MAINTAINED IN CONFIDENCE AND USED ONLY IN A MANNER CONSISTENT WITH THE DOCUMENTATION AND ANY EXECUTED NON DISCLOSURE AGREEMENT, AND MAY NOT BE DISCLOSED TO ANY THIRD PERSON WITHOUT FLIR'S WRITTEN CONSENT.</p>			
	<p>THIS DOCUMENT IS CONTROLLED TO FLIR TECHNOLOGY LEVEL 1. THE INFORMATION CONTAINED IN THIS DOCUMENT PERTAINS TO A DUAL USE PRODUCT CONTROLLED FOR EXPORT BY THE EXPORT ADMINISTRATION REGULATIONS (EAR). DIVERSION CONTRARY TO US LAW IS PROHIBITED. US DEPARTMENT OF COMMERCE AUTHORIZATION IS NOT REQUIRED PRIOR TO EXPORT OR TRANSFER TO FOREIGN PERSONS OR PARTIES UNLESS OTHERWISE PROHIBITED.</p>			
<p>INTERPRET DRAWING PER ASME Y14.5M-1994</p> <p>UNLESS OTHERWISE SPECIFIED SURFACE ROUGHNESS 32</p> <p>X = ±.1 XX = ±.01 XXX = ±.005 ANGULAR = ±.5° FILLET RADII = .005 MAX</p>	<p>MATERIAL</p>	<p>PROJECT NO.</p>	<p>APPROVALS</p>	<p>DATE</p>
	<p>FINISH</p>	<p>DWN M. HOPKINS</p>	<p>10/17/11</p>	<p>FLIR FLIR Systems, Inc. 70 Castilian Drive Goleta, CA 93117</p>
<p>UNLESS OTHERWISE SPECIFIED ALL MEASUREMENTS ARE IN INCHES. ALL DIMENSIONS IN [] ARE MM. DO NOT SCALE DRAWING.</p>	<p>DSGN</p>	<p>ENG</p>	<p>APP</p>	<p>TITLE</p> <p>IDD, TAU 2 CAMERA, 60mm-f1.25, 17um 336x256</p>
<p>CALC WT: 265.3 g</p>	<p>SCALE 2:1</p>	<p>PRINTED: 5/7/2013</p>	<p>SHEET 1 OF 2</p>	<p>SIZE D</p> <p>CAGE 064Y2</p> <p>DWG NO. 46-336,60mm-f1.25</p> <p>REV 100</p>

DWG NO. 46-336,60mm-f1.25 SH 1 REV 100

D

D

C

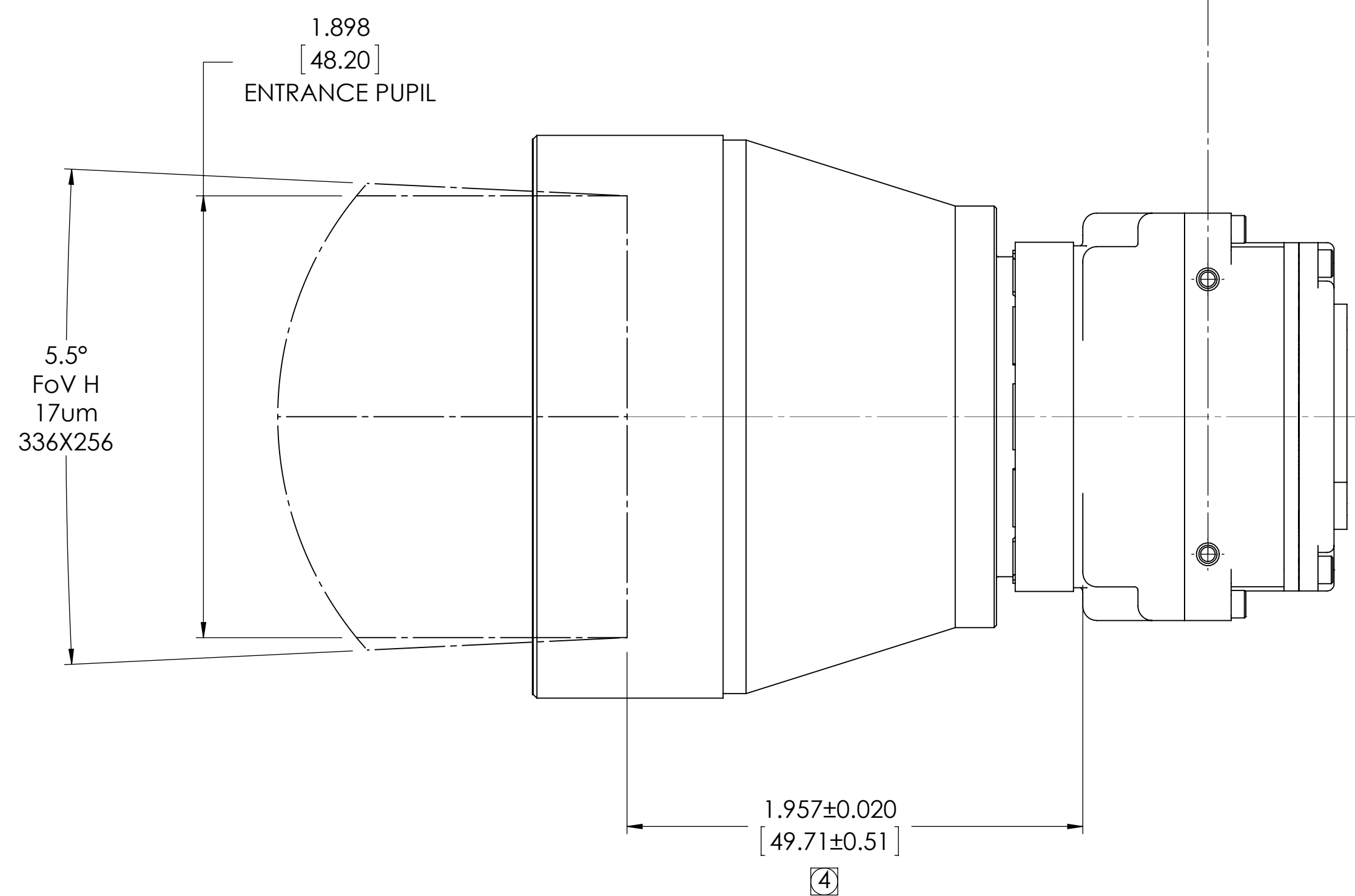
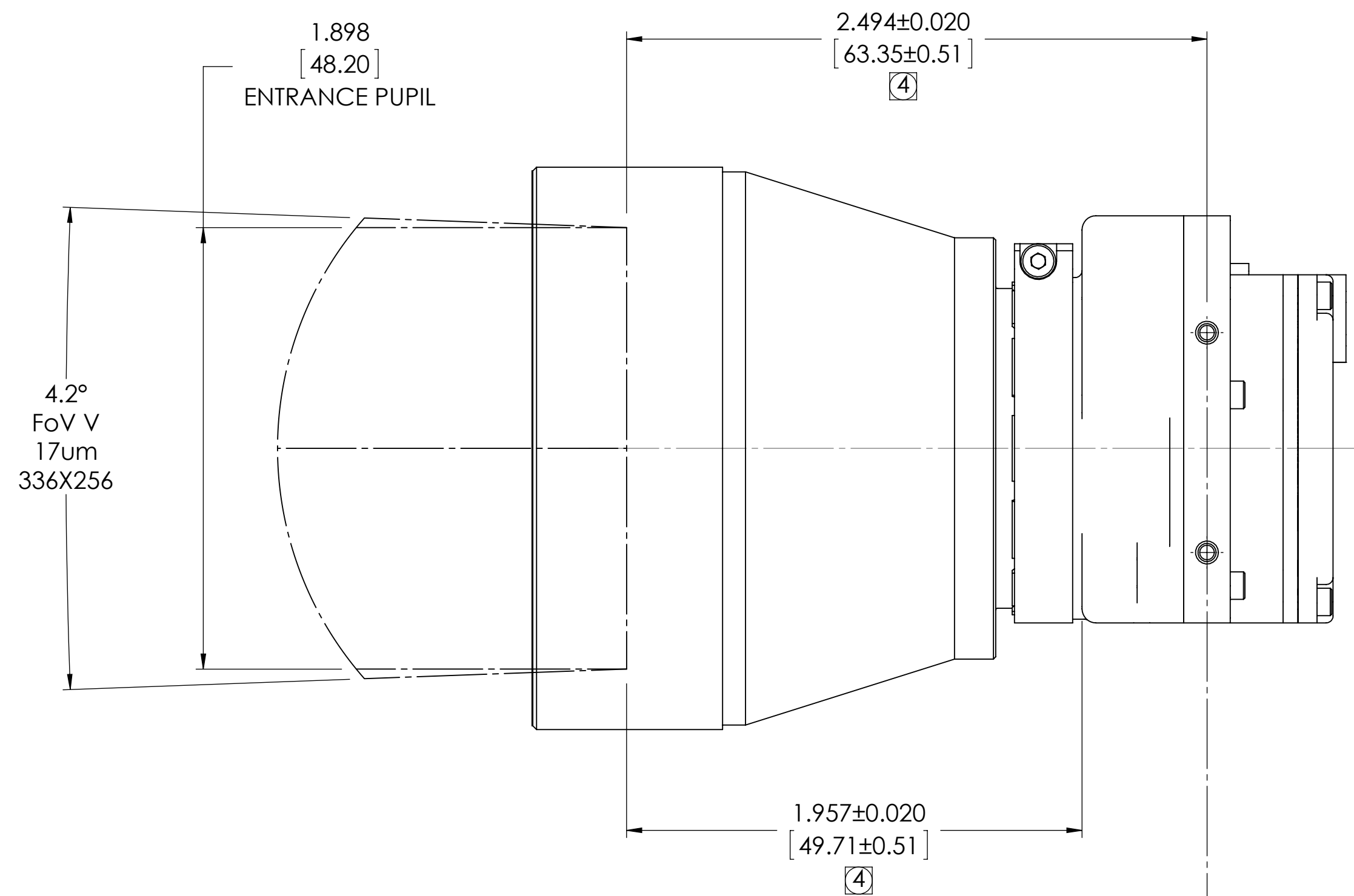
C

B

B

A

A



60 mm-f1.25
336x256 ARRAY

**IDD, TAU 2 CAMERA,
60mm-f1.25, 17um 336x256**

PROPRIETARY - FLIR SYSTEMS, INC.

THIS DOCUMENT IS CONTROLLED TO FLIR TECHNOLOGY LEVEL 1. THE INFORMATION CONTAINED IN THIS DOCUMENT PERTAINS TO A DUAL USE PRODUCT CONTROLLED FOR EXPORT BY THE EXPORT ADMINISTRATION REGULATIONS (EAR). DIVERSION CONTRARY TO US LAW IS PROHIBITED. US DEPARTMENT OF COMMERCE AUTHORIZATION IS NOT REQUIRED PRIOR TO EXPORT OR TRANSFER TO FOREIGN PERSONS OR PARTIES UNLESS OTHERWISE PROHIBITED.

	FLIR Systems, Inc. 70 Castilian Drive Goleta, CA 93117	SIZE	CAGE	DWG NO.	REV
		D	064Y2	46-336,60mm-f1.25	100
SCALE 2:1		PRINTED: 5/7/2013		SHEET 2 OF 2	

SOLIDWORKS MODEL: 46-Tau Camera Core
MODEL REVISION: 1

DWG NO. 46-336,60mm-f1.25 SH 2 REV 100