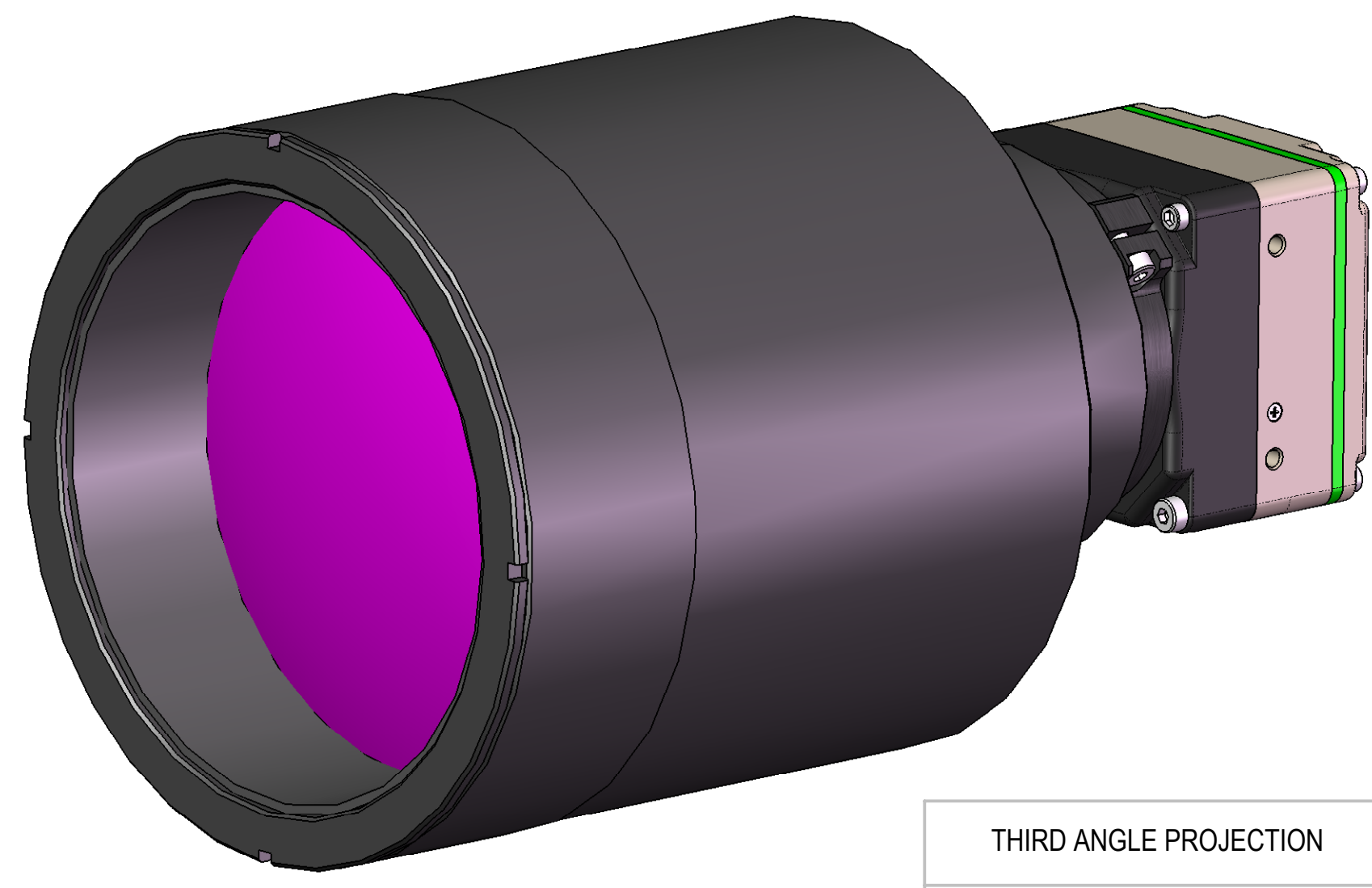
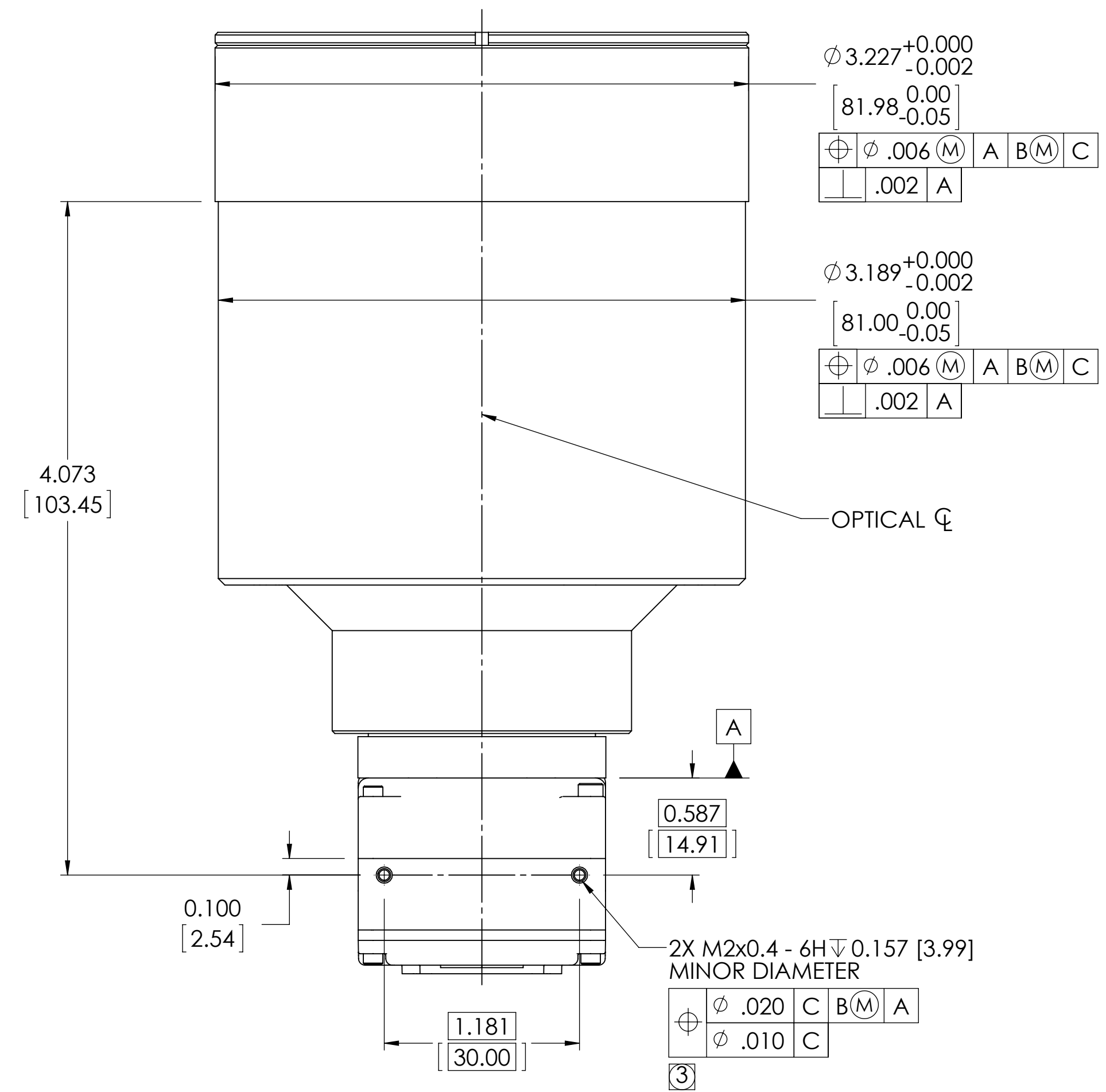
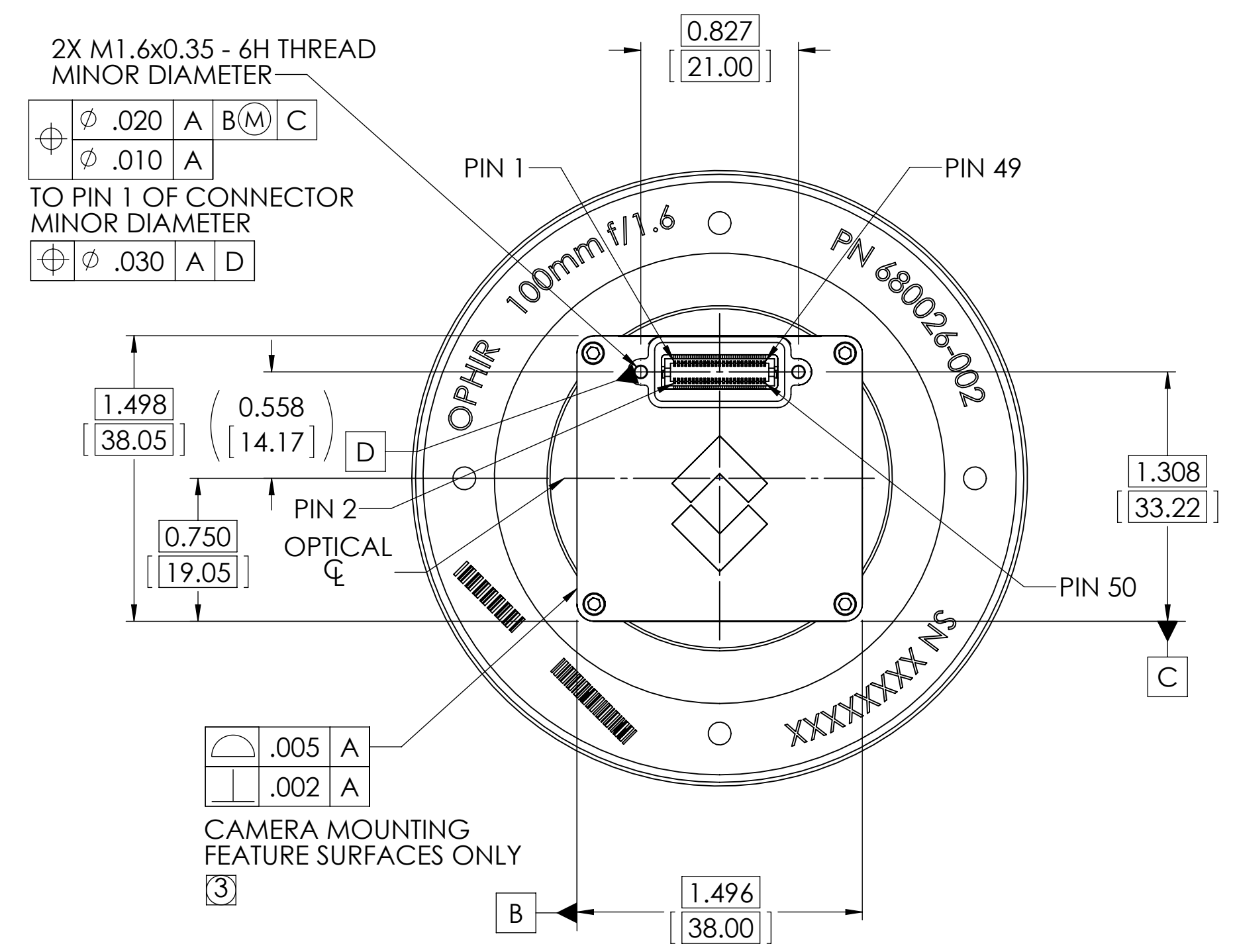
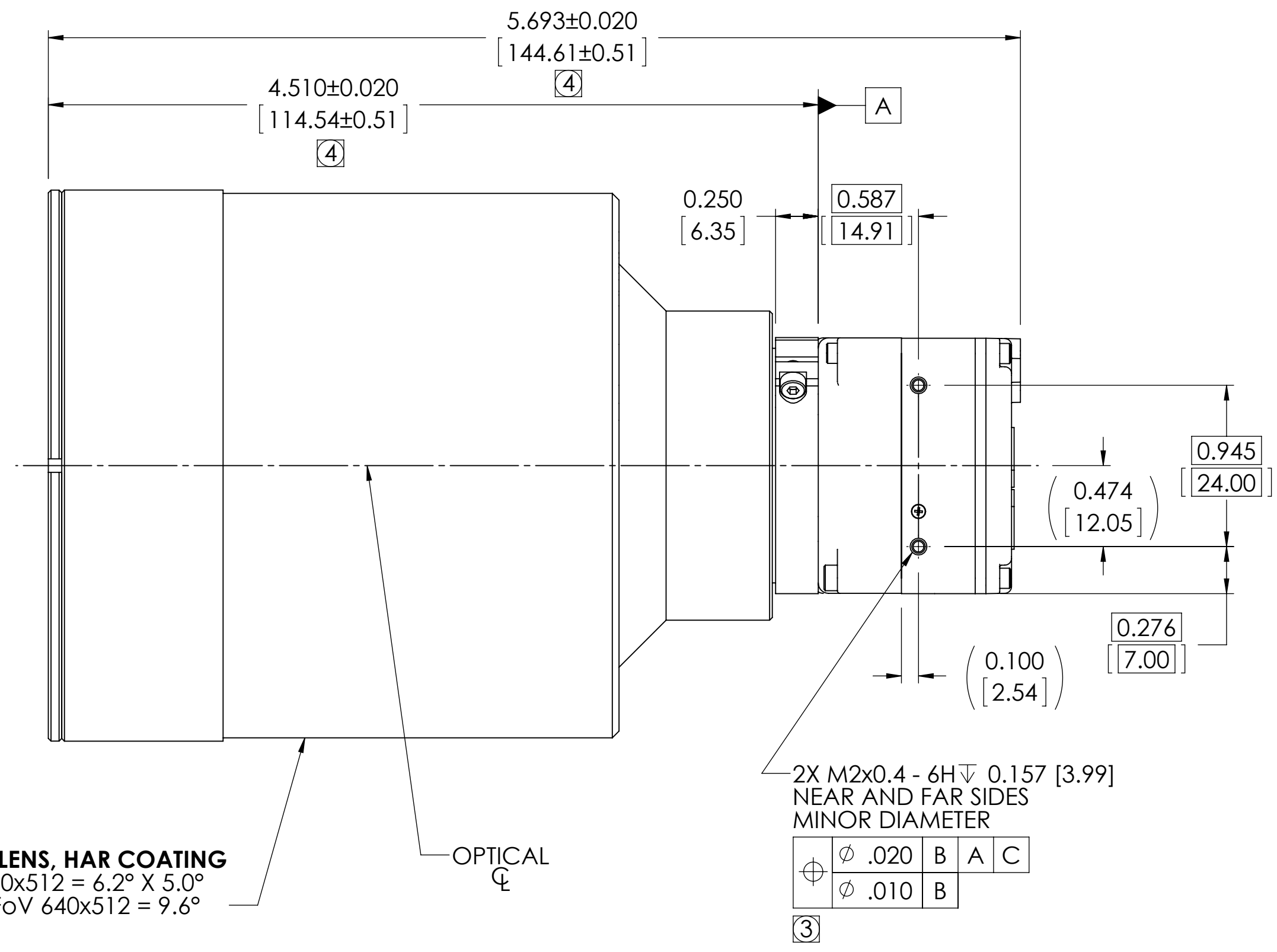
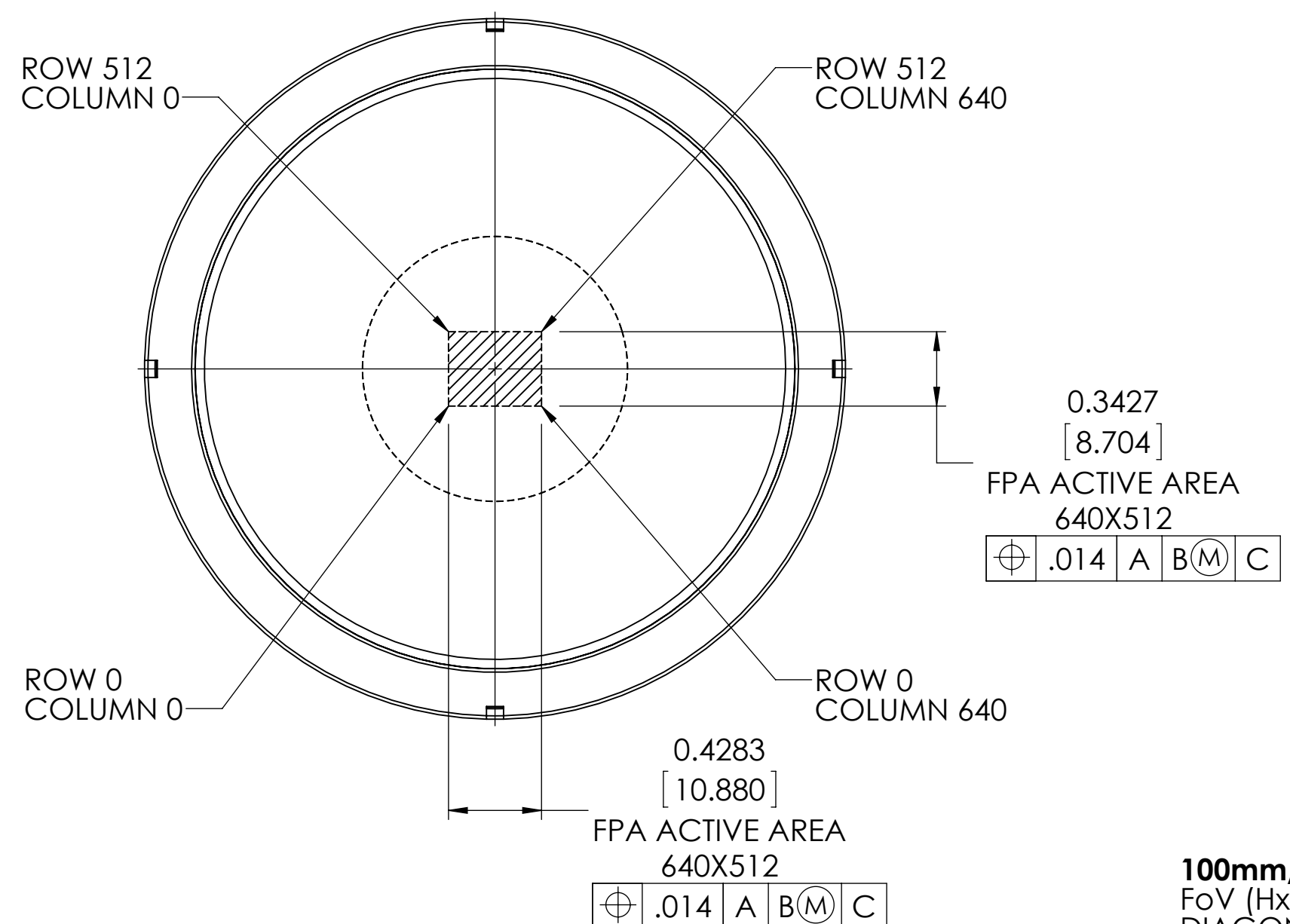


| REVISIONS | | | | |
|-----------|-----|-------------------------|-----------|----------|
| ZONE | REV | DESCRIPTION | DATE | APPROVED |
| | 100 | RELEASED PER ECN 116380 | 12/7/2011 | BC |

NOTES: UNLESS OTHERWISE SPECIFIED

- INDICATED DIMENSIONS ARE FOR AN ARRAY SIZE OF 640x512.
- CONNECTOR INTERFACE: HIROSE 50 PIN DF12-50DS-0.5V(86). MATING CONNECTOR P/N DF12(5.0)-50DP-0.5V(86). FOR PIN-OUT DESIGNATIONS SEE TAU CAMERA USERS MANUAL.
- INDICATED TOLERANCES APPLY TO CAMERA MOUNTING SURFACES ONLY. OTHER SURFACES ARE CAST AND HAVE DRAFT.
- INDICATED ALLOWABLE TRAVEL FOR FOCUS.
- 47- SHUTTERLESS CAMERA WEIGHT NO LENS: 49.1 GRAMS, LENS WEIGHT, 100mm-f1.6: 422.8 GRAMS
TOTAL CAMERA WEIGHT: 471.9 GRAMS
48- SHUTTERED CAMERA WEIGHT NO LENS: 55.3 GRAMS, LENS WEIGHT, 100mm-f1.6: 422.8 GRAMS
TOTAL CAMERA WEIGHT: 478.1 GRAMS



THIRD ANGLE PROJECTION

THIS DOCUMENT IS CONTROLLED TO FLIR TECHNOLOGY LEVEL 1.

THE INFORMATION CONTAINED IN THIS DOCUMENT PERTAINS TO A DUAL USE PRODUCT CONTROLLED FOR EXPORT BY THE EXPORT ADMINISTRATION REGULATIONS (EAR). FLIR TRADE SECRETS CONTAINED HEREIN ARE SUBJECT TO DISCLOSURE RESTRICTIONS AS A MATTER OF LAW. DIVERSION CONTRARY TO US LAW IS PROHIBITED. US DEPARTMENT OF COMMERCE AUTHORIZATION IS NOT REQUIRED PRIOR TO EXPORT OR TRANSFER TO FOREIGN PERSONS OR PARTIES UNLESS OTHERWISE PROHIBITED.

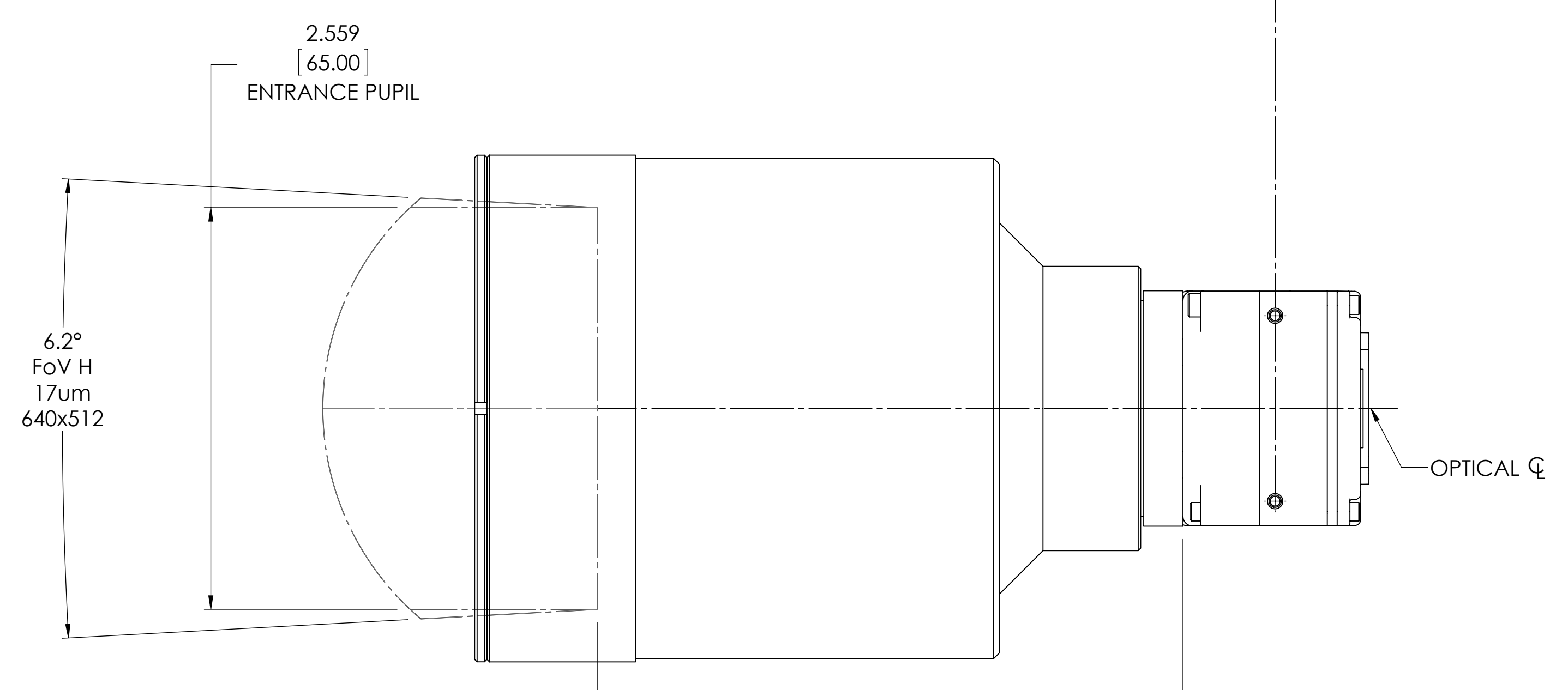
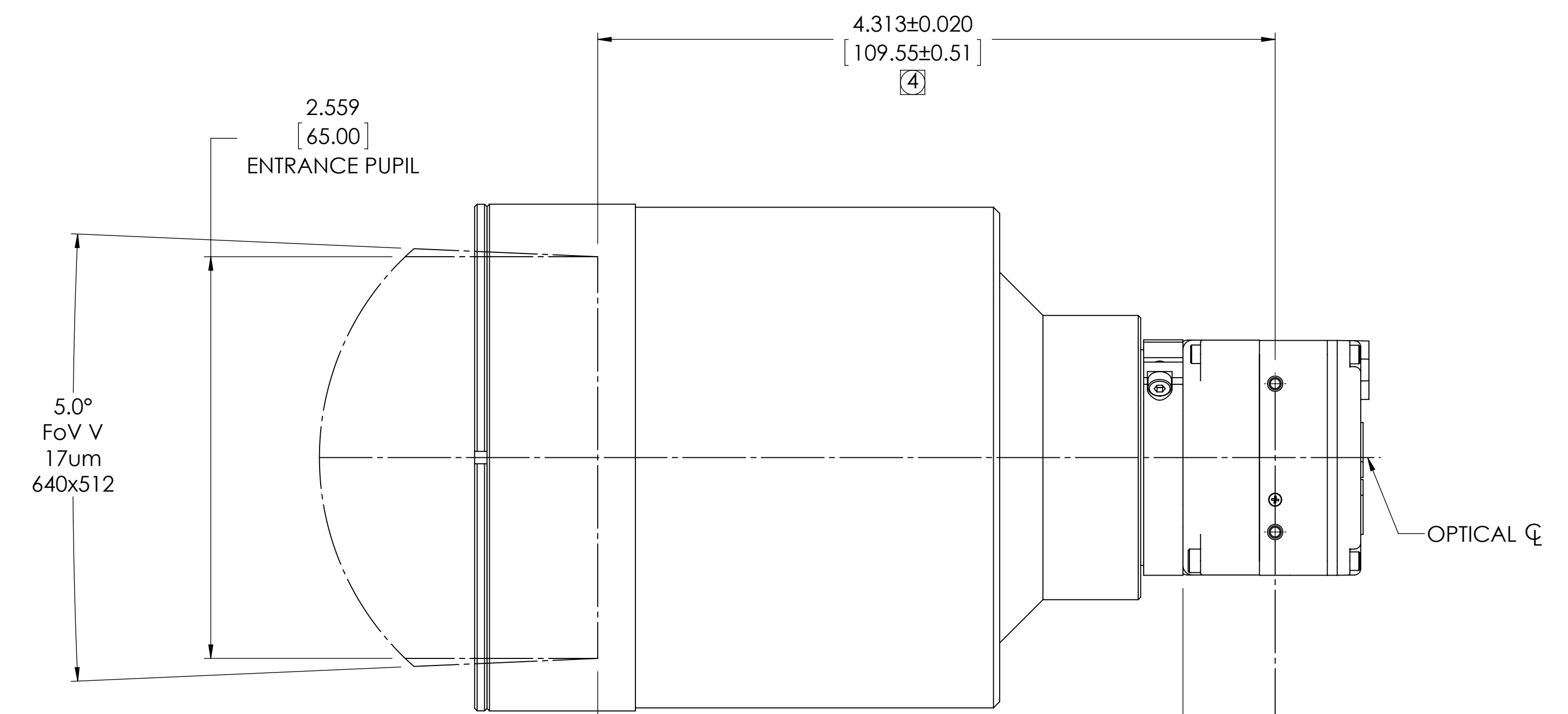
| | | | |
|---|----------|-------------|---|
| INTERPRET DRAWING PER ASME Y14.5M-1994 UNLESS OTHERWISE SPECIFIED SURFACE ROUGHNESS 32 X = ±.1 .XX = ±.01 .XXX = ±.005 ANGULAR = ±.5° FILLET RADII = .005 MAX | MATERIAL | PROJECT NO. | <p>FLIR Systems, Inc. 70 Castilian Drive Goleta, CA 93117</p> |
| | FINISH | APPROVALS | |
| UNLESS OTHERWISE SPECIFIED ALL MEASUREMENTS ARE IN INCHES. ALL DIMENSIONS IN [] ARE MM. DO NOT SCALE DRAWING. | DWN | M. HOPKINS | 11/28/11 |
| | CHK | | |
| | DGSG | | |
| CALC WT: ? GRAMS | APP | | |

TITLE: **IDD, TAU CAMERA, 100mm-f1.6, 17um 640x512**

SIZE: D CAGE: 064Y2 DWG NO.: 47&48-640, 100mm-f1.6 REV: 100

SCALE: 1.5:1 PRINTED: 12/7/2011 SHEET: 1 OF 3

SOLIDWORKS MODEL: 48-Tau Camera Core MODEL REVISION: A-WC



100mm-f1.6
640x512 ARRAY

**IDD, TAU CAMERA,
100mm-f1.6, 17um 640x512**

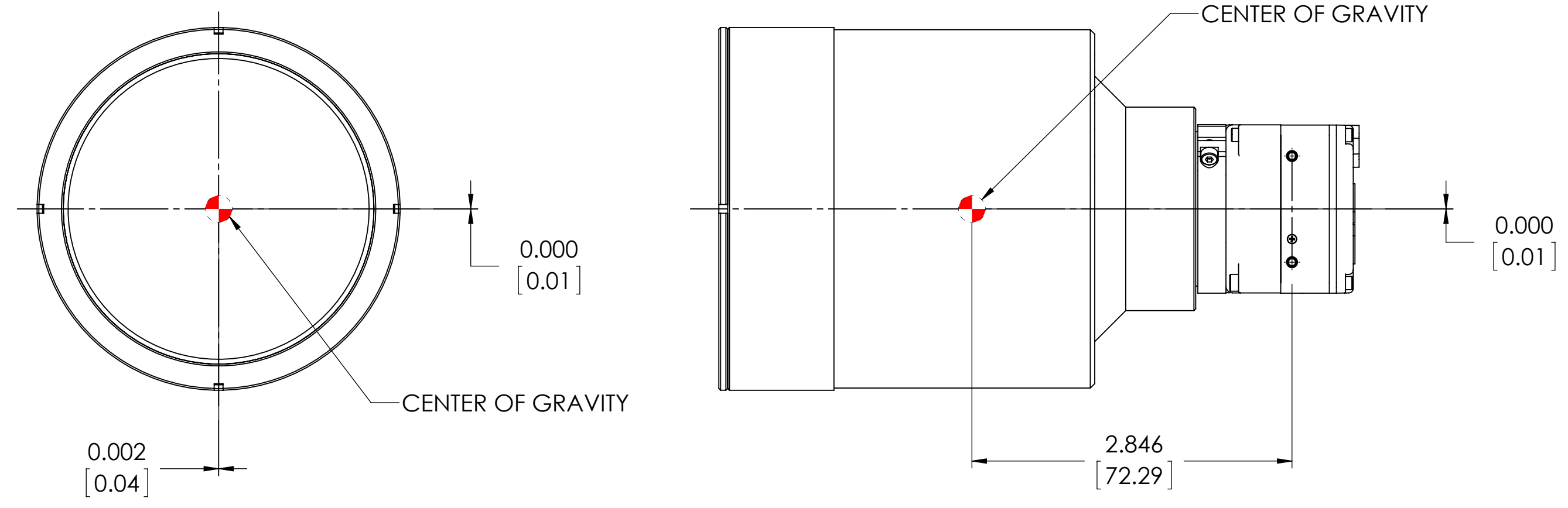
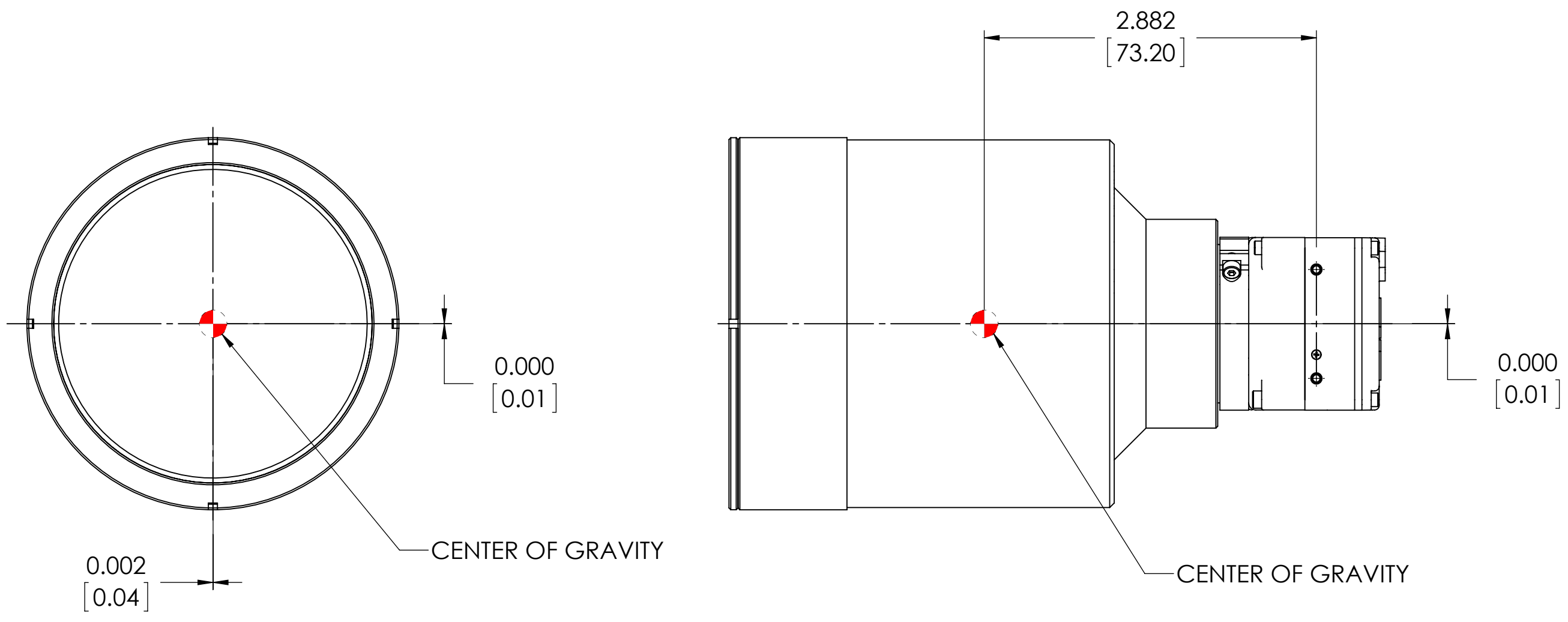
| | | | |
|--------------------------------------|-------|-----------------------|--------------|
| SIZE | CAGE | DWG NO. | REV |
| D | 064Y2 | 47&48-640, 100mm-f1.6 | 100 |
| SCALE 1.5:1 | | PRINTED: 12/7/2011 | SHEET 2 OF 3 |
| SOLIDWORKS MODEL: 48-Tau Camera Core | | | |
| MODEL REVISION:A-WC | | | |

DWG NO. 47&48-640, 100mm-f1.6 SH 2 REV 100

8 7 6 5 4 3 2 1

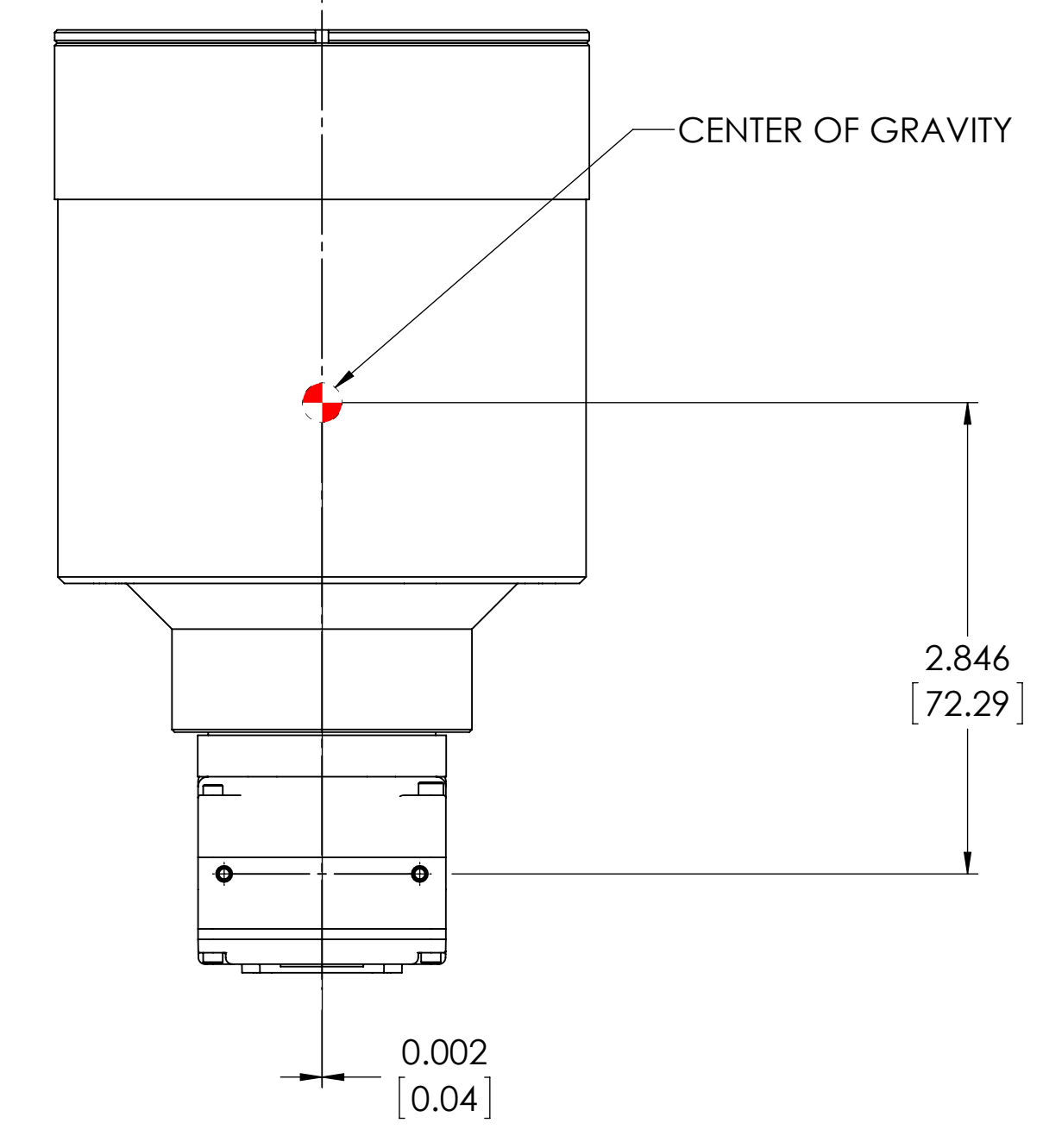
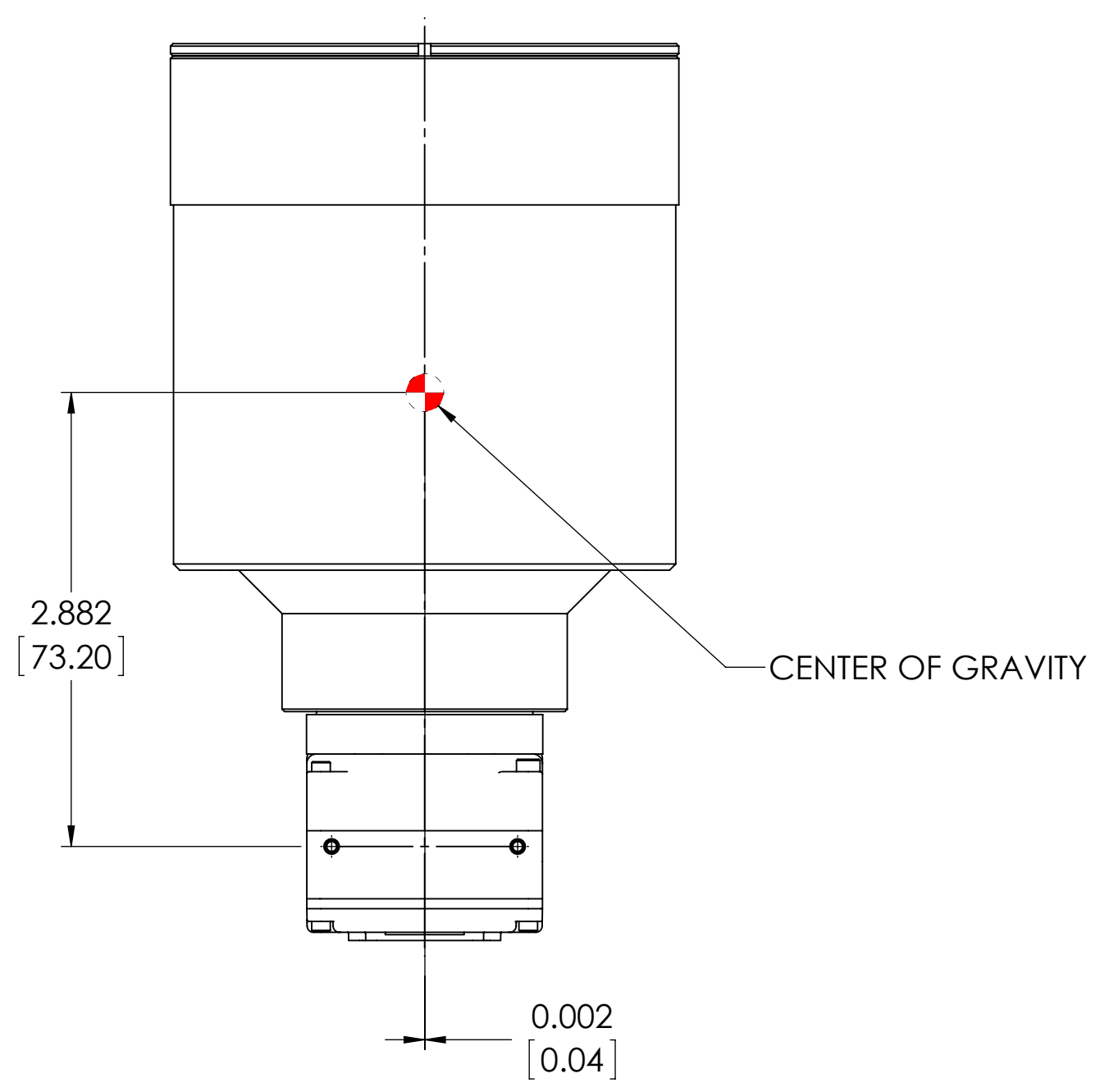
D

D



C

C



B

B

47- SHUTTERLESS CAMERA
CENTER OF GRAVITY LOCATIONS

48- SHUTTERED CAMERA
CENTER OF GRAVITY LOCATIONS

A

A

**IDD, TAU CAMERA,
100mm-f1.6, 17um 640x512**

| | | | |
|---|-------|-----------------------|--------------|
| SIZE | CAGE | DWG NO. | REV |
| D | 064Y2 | 47&48-640, 100mm-f1.6 | 100 |
| SCALE 1:1 | | PRINTED: 12/7/2011 | SHEET 3 OF 3 |
| SOLIDWORKS MODEL: 48-Tau Camera Core MODEL REVISION:A-WC | | | |

8 7 6 5 4 3 2 1

DWG NO. 47&48-640, 100mm-f1.6 SH 3 REV 100