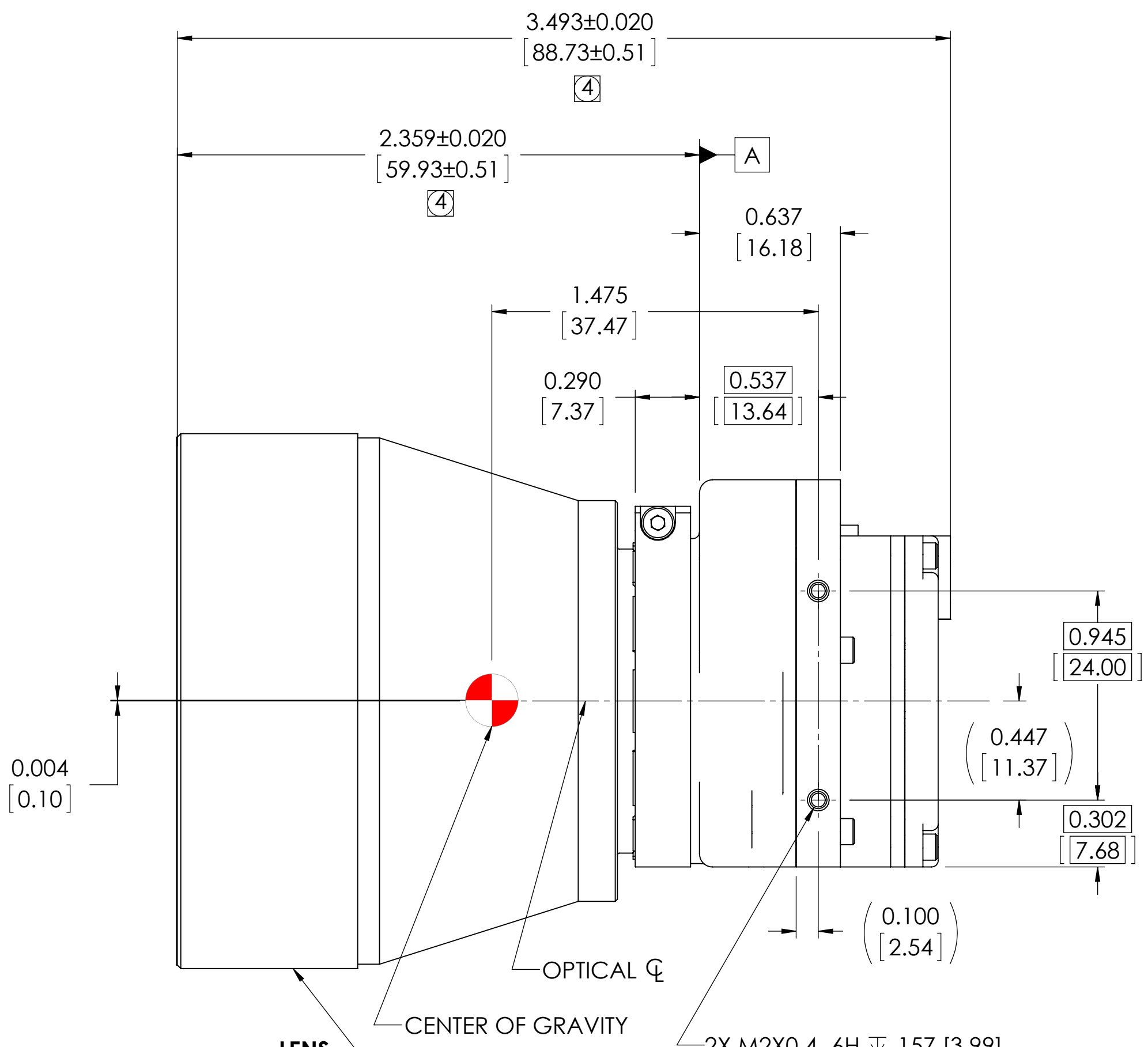
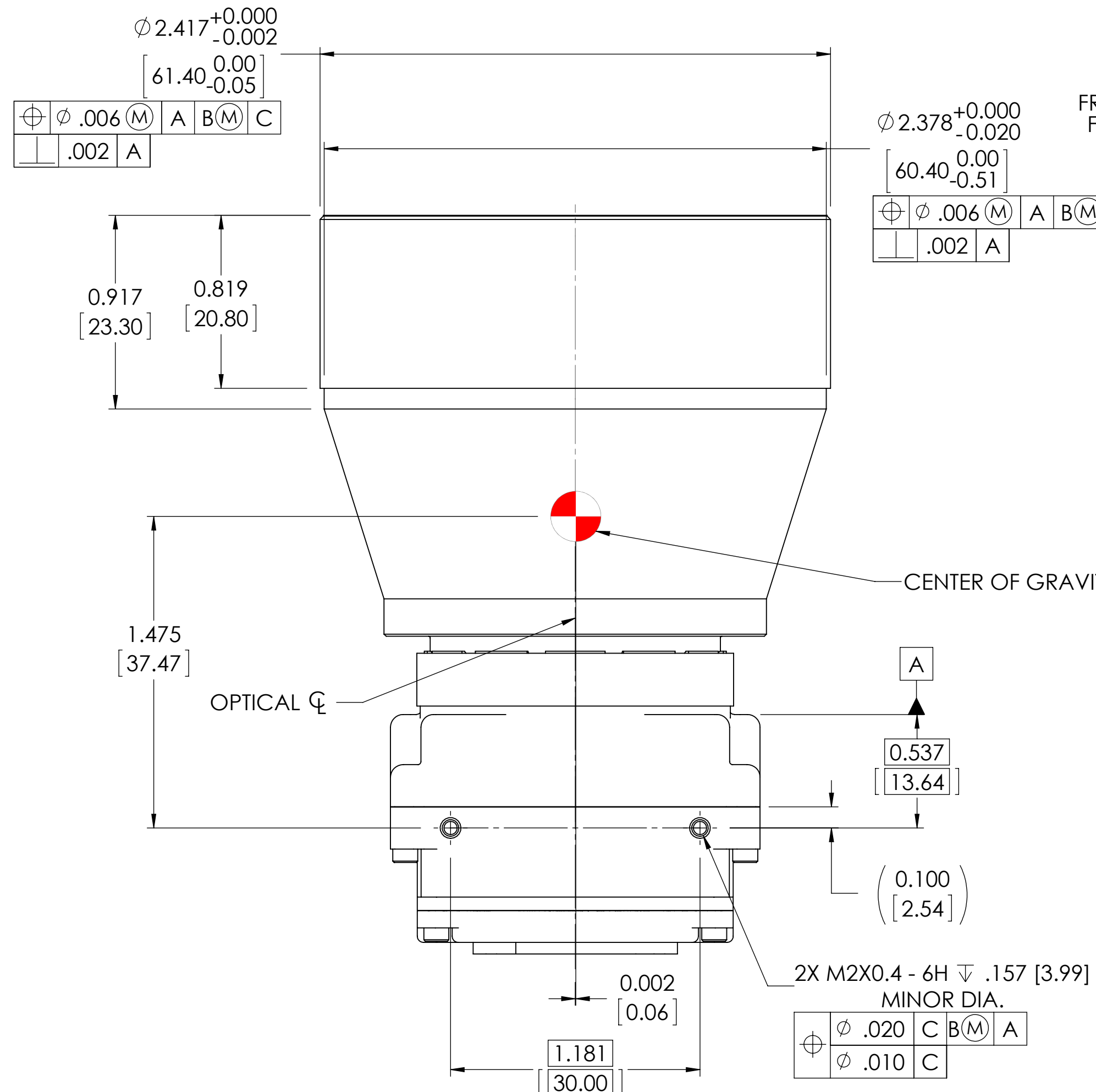
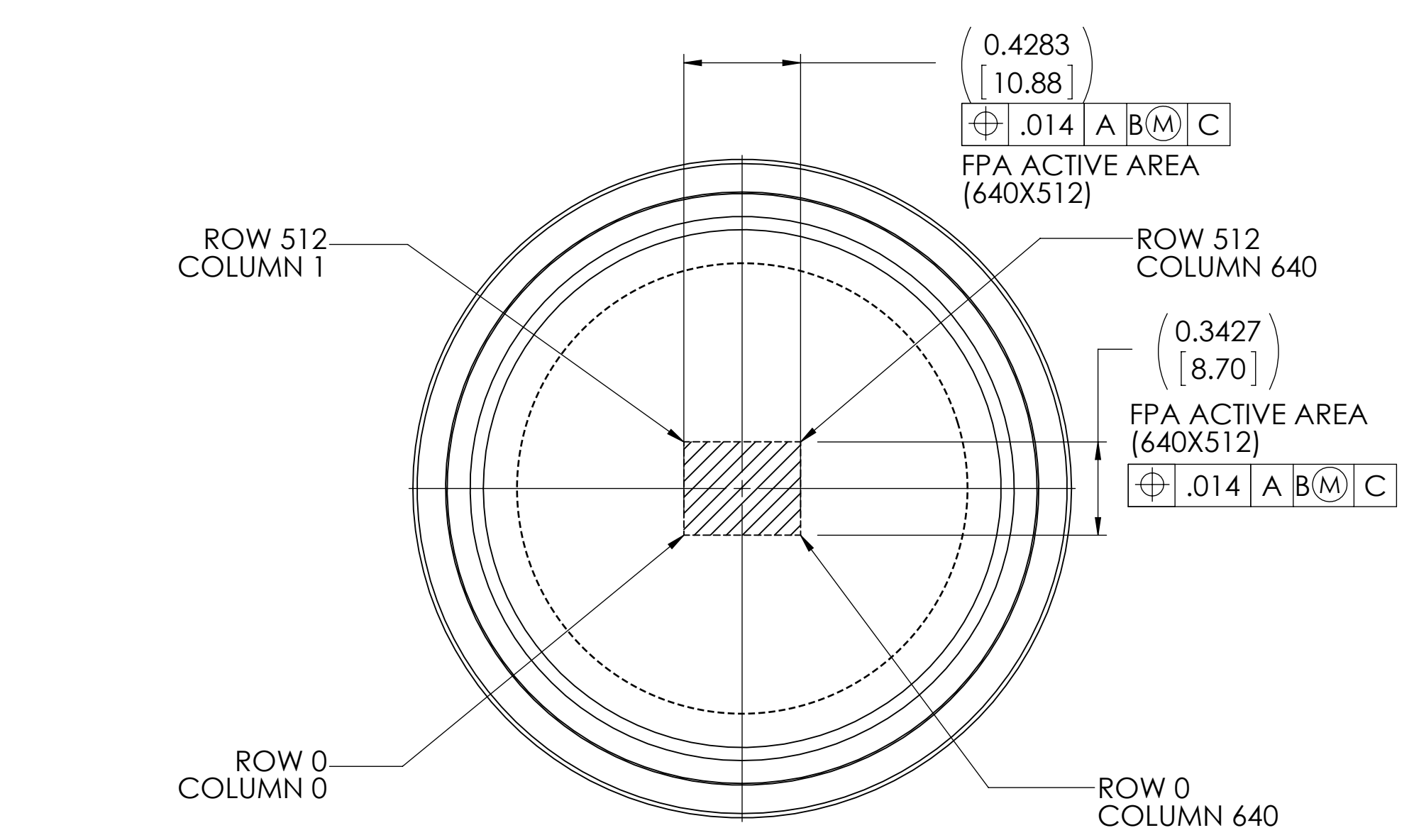


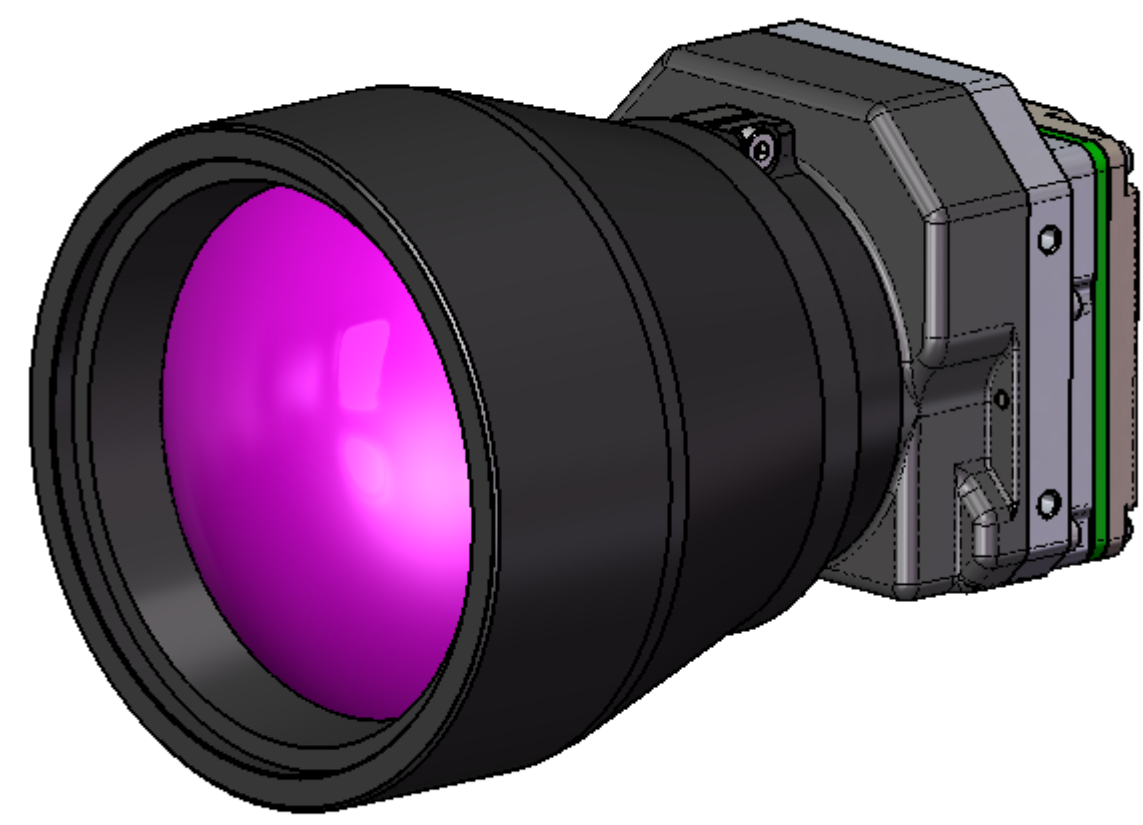
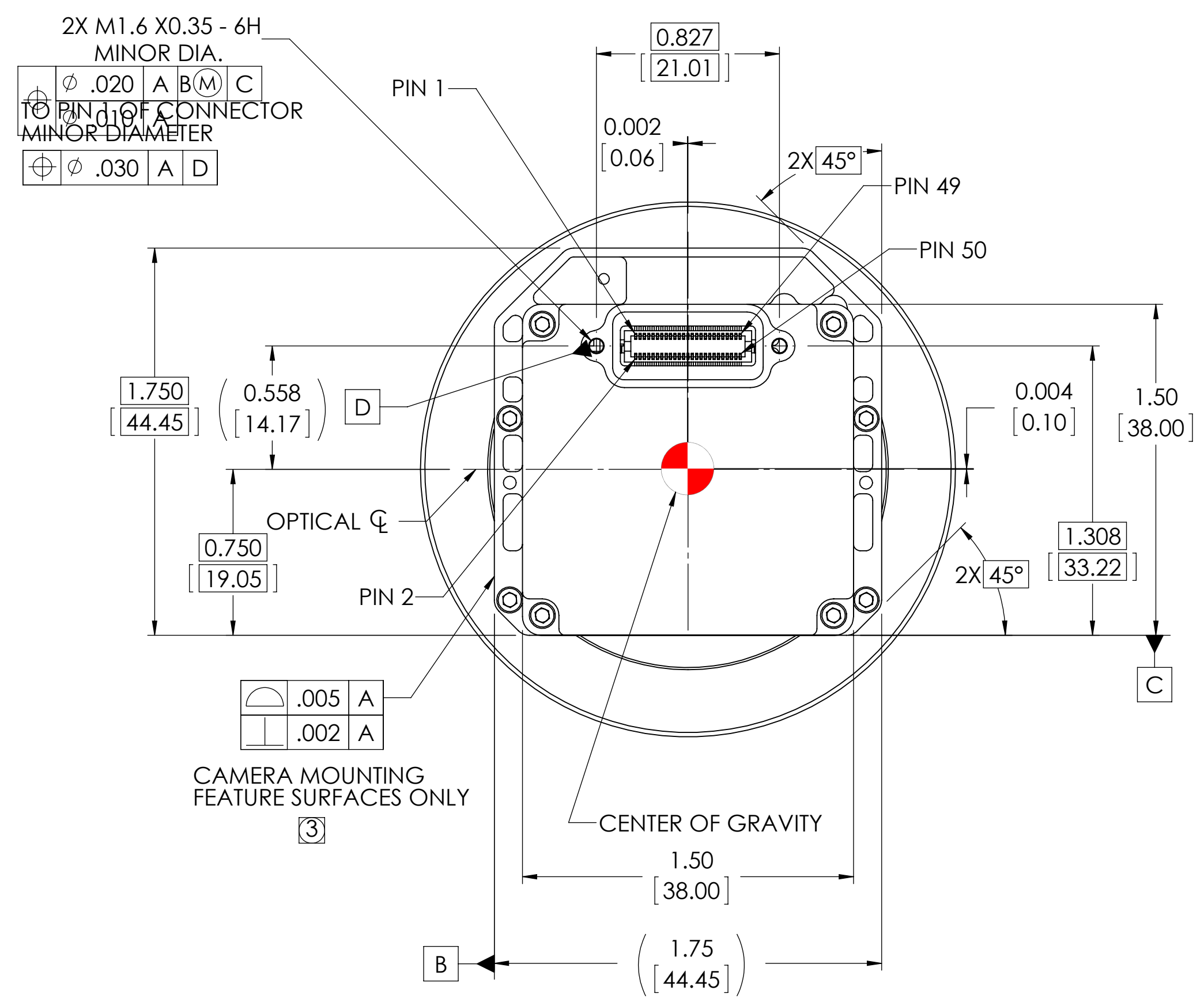
REVISIONS				
ZONE	REV	DESCRIPTION	DATE	APPROVED
	100	RELEASED PER ECN 120869	04/16/2013	BC

NOTES: UNLESS OTHERWISE SPECIFIED

- INDICATED DIMENSIONS ARE FOR AN ARRAY SIZE OF 640x512.
- CONNECTOR INTERFACE: HIROSE 50 PIN DF12-50DS-0.5V(86). MATING CONNECTOR P/N DF12(5.0)-50DP-0.5V(86). FOR PIN-OUT DESIGNATIONS SEE TAU CAMERA USERS MANUAL.
- INDICATED TOLERANCES APPLY TO CAMERA MOUNTING SURFACES ONLY. OTHER SURFACES ARE CAST AND HAVE DRAFT.
- INDICATED ALLOWABLE TRAVEL FOR FOCUS.
- CAMERA WEIGHT NO LENS: 52.1 GRAMS, LENS WEIGHT, 60mm-f1.25: 213.2 GRAMS
TOTAL CAMERA WEIGHT: 265.3 GRAMS
- PLEASE NOTE TAU 2 CAMERA (46-) USES NEW ATHERMALIZED LENS. ORIGINAL TAU USES OLDER DESIGN. PLEASE SEE TAU IDD (41-) FOR DIMENSIONAL AND WEIGHT CHANGES.



LENS
60mm-f1.25 HC COATING
FRONT ELEMENT SEALED TO IP67
FoV (HxV) 640X512 = 10.4°x8.3°
DIAGONAL FOV= 14.7°



<p>THIRD ANGLE PROJECTION</p>		<p>PROPRIETARY - FLIR SYSTEMS, INC.</p> <p>THIS DOCUMENT CONTAINS PROPRIETARY INFORMATION TO FLIR SYSTEMS, INC. THIS INFORMATION MUST BE MAINTAINED IN CONFIDENCE AND USED ONLY IN A MANNER CONSISTENT WITH THE DOCUMENTATION AND ANY EXECUTED NON DISCLOSURE AGREEMENT, AND MAY NOT BE DISCLOSED TO ANY THIRD PERSON WITHOUT FLIR'S WRITTEN CONSENT.</p>	
<p>INTERPRET DRAWING PER ASME Y14.5M-1994</p> <p>UNLESS OTHERWISE SPECIFIED SURFACE ROUGHNESS 32</p> <p>X = ±.1 .XX = ±.01 .XXX = ±.005 ANGULAR = ±.5° FILLET RADII = .005 MAX</p>		<p>THIS DOCUMENT IS CONTROLLED TO FLIR TECHNOLOGY LEVEL 1. THE INFORMATION CONTAINED IN THIS DOCUMENT PERTAINS TO A DUAL USE PRODUCT CONTROLLED FOR EXPORT BY THE EXPORT ADMINISTRATION REGULATIONS (EAR). DIVERSION CONTRARY TO US LAW IS PROHIBITED. US DEPARTMENT OF COMMERCE AUTHORIZATION IS NOT REQUIRED PRIOR TO EXPORT OR TRANSFER TO FOREIGN PERSONS OR PARTIES UNLESS OTHERWISE PROHIBITED.</p>	
<p>MATERIAL</p> <p>FINISH</p> <p>UNLESS OTHERWISE SPECIFIED ALL MEASUREMENTS ARE IN INCHES. ALL DIMENSIONS IN [] ARE MM. DO NOT SCALE DRAWING.</p> <p>CALC WT: 265.3 g</p>		<p>PROJECT NO.</p> <p>APPROVALS</p> <p>DWN M. HOPKINS</p> <p>CHK</p> <p>DSGN</p> <p>ENG</p> <p>APP</p>	<p>DATE</p> <p>10/17/11</p> <p>TITLE</p> <p>IDD, TAU 2 CAMERA, 60mm-f1.25, 17um 640x512</p> <p>SIZE D CAGE 064Y2 DWG NO. 46-640,60mm-f1.25 REV 100</p> <p>SCALE 2:1 PRINTED: 5/7/2013 SHEET 1 OF 2</p>

DWG NO. 46-640,60mm-f1.25 SH 1 REV 100

D

D

C

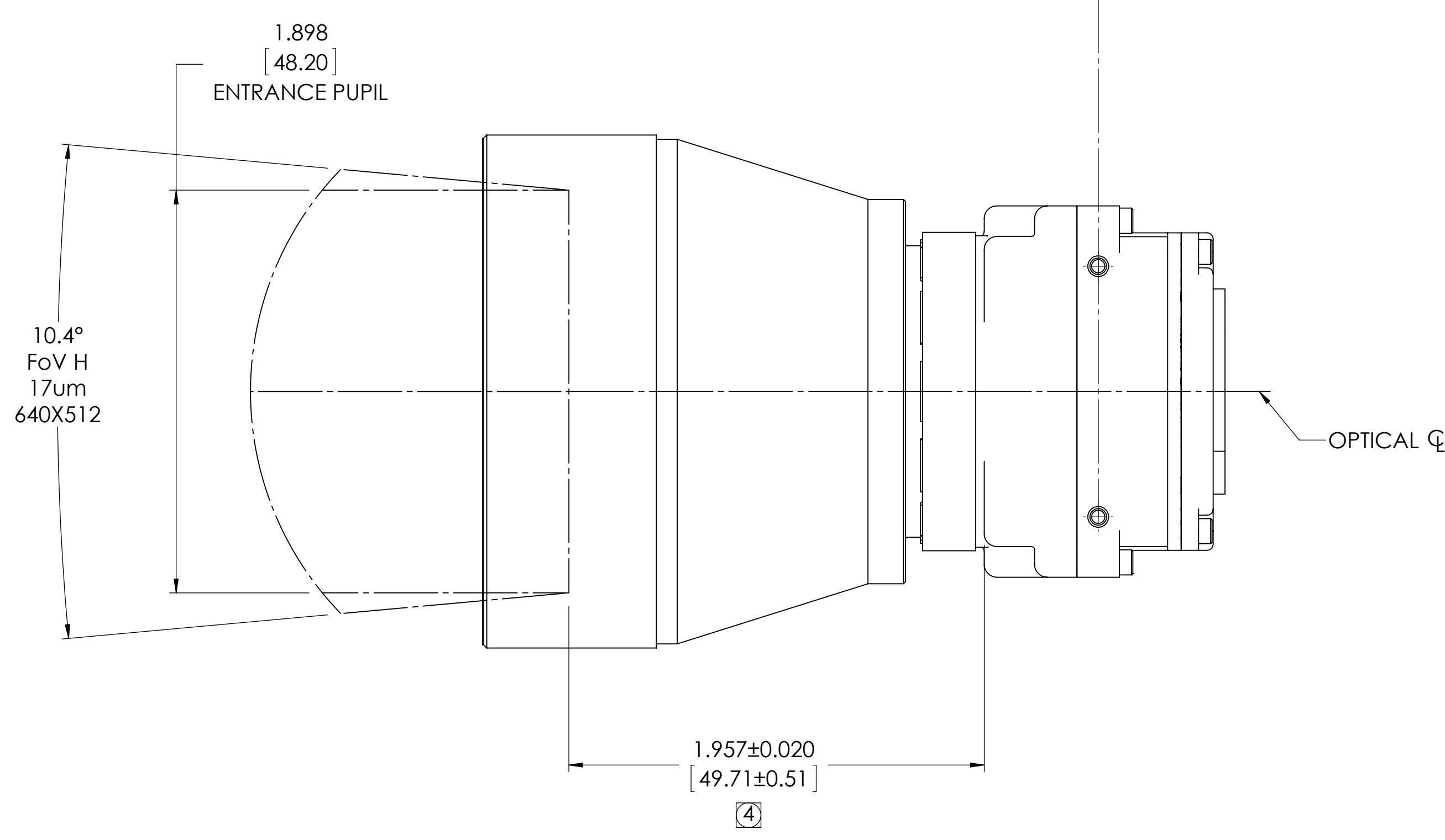
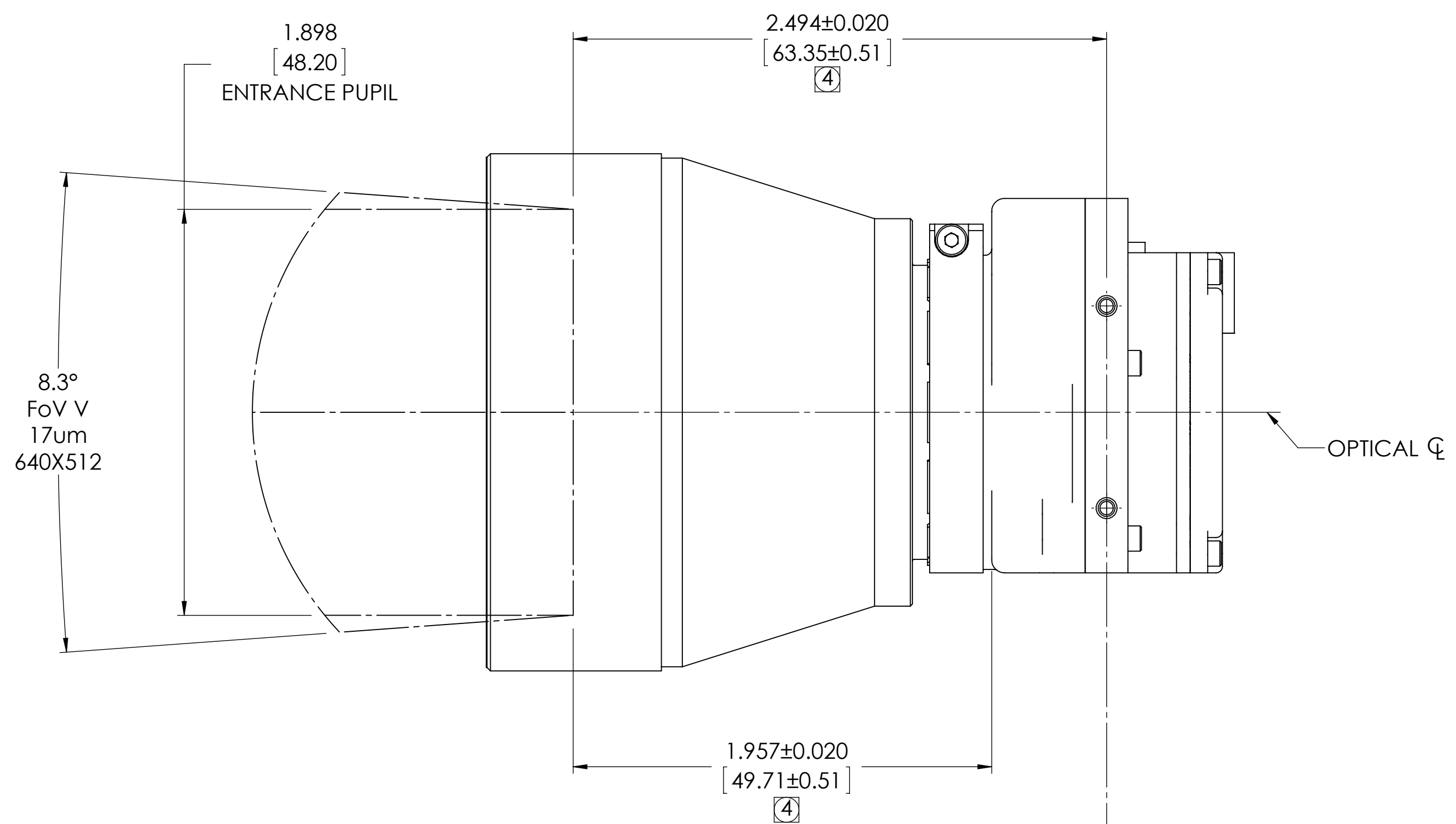
C

B

B

A

A



60 mm-f1.25
640X512 ARRAY

**IDD, TAU 2 CAMERA,
60mm-f1.25, 17um 640x512**

PROPRIETARY - FLIR SYSTEMS, INC.

THIS DOCUMENT IS CONTROLLED TO FLIR TECHNOLOGY LEVEL 1. THE INFORMATION CONTAINED IN THIS DOCUMENT PERTAINS TO A DUAL USE PRODUCT CONTROLLED FOR EXPORT BY THE EXPORT ADMINISTRATION REGULATIONS (EAR). DIVERSION CONTRARY TO US LAW IS PROHIBITED. US DEPARTMENT OF COMMERCE AUTHORIZATION IS NOT REQUIRED PRIOR TO EXPORT OR TRANSFER TO FOREIGN PERSONS OR PARTIES UNLESS OTHERWISE PROHIBITED.



FLIR Systems, Inc.
70 Castilian Drive
Goleta, CA 93117

SIZE D	CAGE 064Y2	DWG NO. 46-640,60mm-f1.25	REV 100
SCALE 2:1	PRINTED: 5/7/2013	SHEET 2 OF 2	

SOLIDWORKS MODEL: 46-Tau Camera Core
MODEL REVISION: 1

DWG NO. 46-640,60mm-f1.25 SH 2 REV 100