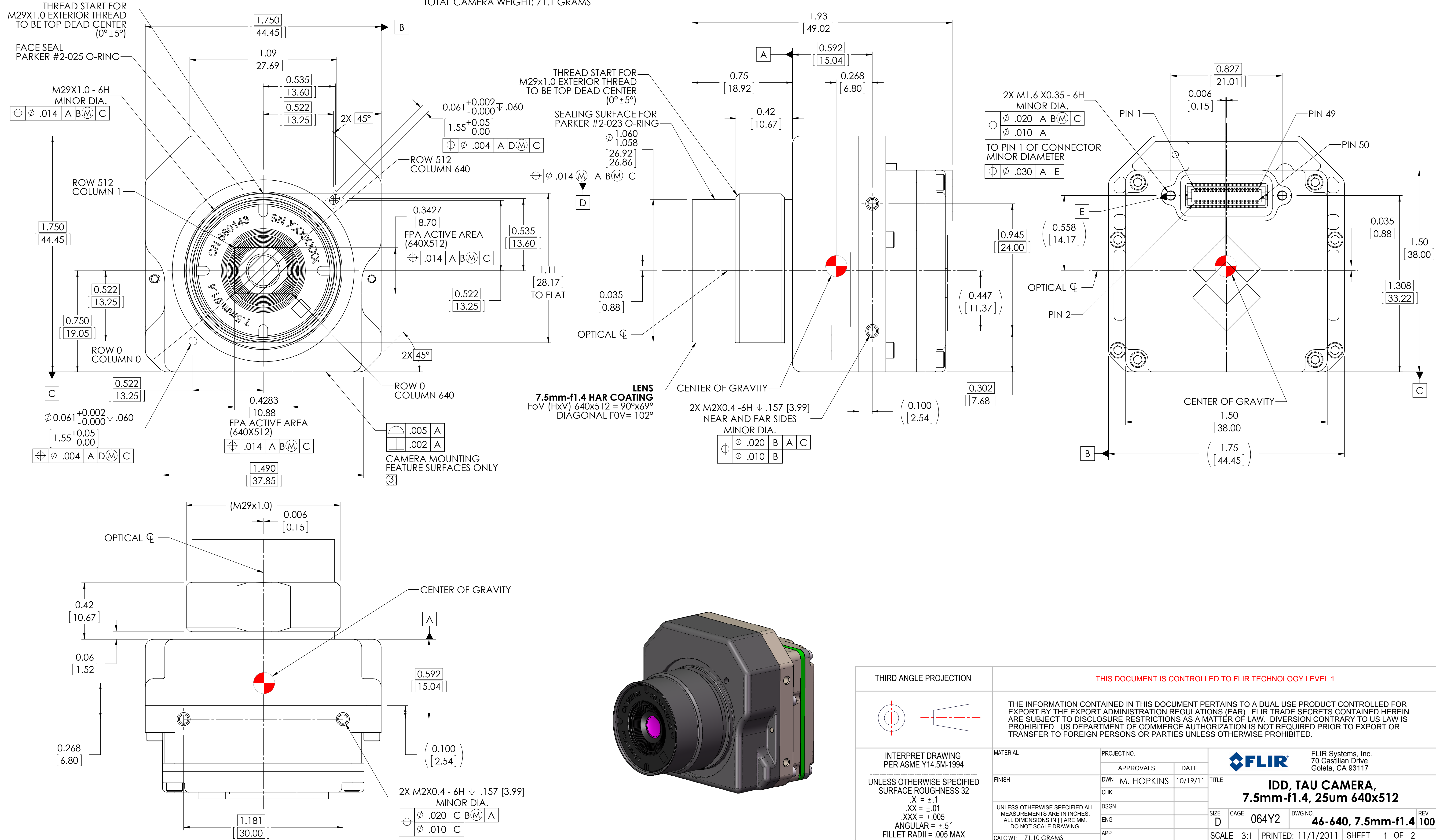


NOTES: UNLESS OTHERWISE SPECIFIED

- INDICATED DIMENSIONS ARE FOR AN ARRAY SIZE OF 640x512.
- CONNECTOR INTERFACE: HIROSE 50 PIN DF12-50DS-0.5V(86). MATING CONNECTOR P/N DF12(5.0)-50DP-0.5V(86). FOR PIN-OUT DESIGNATIONS SEE TAU CAMERA USERS MANUAL.
- INDICATED TOLERANCES APPLY TO CAMERA MOUNTING SURFACES ONLY. OTHER SURFACES ARE CAST AND HAVE DRAFT.
- INDICATED ALLOWABLE TRAVEL FOR FOCUS.
- CAMERA WEIGHT NO LENS: 50.5 GRAMS, LENS WEIGHT, 7.5mm-f1.4: 20.6 GRAMS
TOTAL CAMERA WEIGHT: 71.1 GRAMS

REVISIONS				
ZONE	REV	DESCRIPTION	DATE	APPROVED
	100	INITIAL RELEASE ECN 115992	10/17/11	BC



THIRD ANGLE PROJECTION

THIS DOCUMENT IS CONTROLLED TO FLIR TECHNOLOGY LEVEL 1.

THE INFORMATION CONTAINED IN THIS DOCUMENT PERTAINS TO A DUAL USE PRODUCT CONTROLLED FOR EXPORT BY THE EXPORT ADMINISTRATION REGULATIONS (EAR). FLIR TRADE SECRETS CONTAINED HEREIN ARE SUBJECT TO DISCLOSURE RESTRICTIONS AS A MATTER OF LAW. DIVERSION CONTRARY TO US LAW IS PROHIBITED. US DEPARTMENT OF COMMERCE AUTHORIZATION IS NOT REQUIRED PRIOR TO EXPORT OR TRANSFER TO FOREIGN PERSONS OR PARTIES UNLESS OTHERWISE PROHIBITED.

INTERPRET DRAWING PER ASME Y14.5M-1994	MATERIAL	PROJECT NO.	FLIR Systems, Inc. 70 Castilian Drive Goleta, CA 93117
	FINISH	APPROVALS	
UNLESS OTHERWISE SPECIFIED SURFACE ROUGHNESS 32 X = ±.1 .XX = ±.01 .XXX = ±.005 ANGULAR = ±.5° FILLET RADII = .005 MAX	UNLESS OTHERWISE SPECIFIED ALL MEASUREMENTS ARE IN INCHES. ALL DIMENSIONS IN [] ARE MM. DO NOT SCALE DRAWING.	DATE	TITLE
	SCALE	SIZE	CAGE
	PRINTED	DATE	SHEET

DWN M. HOPKINS 10/19/11
 CHK
 DSGN
 ENG
 APP
 CALC WT: 71.10 GRAMS

TITLE: **IDD, TAU CAMERA, 7.5mm-f1.4, 25um 640x512**
 SIZE D CAGE 064Y2 DWG NO. 46-640, 7.5mm-f1.4 100 REV 100
 SCALE 3:1 PRINTED: 11/1/2011 SHEET 1 OF 2

SOLIDWORKS MODEL: 46-Tau Camera Core
MODEL REVISION: B-WC

D

D

C

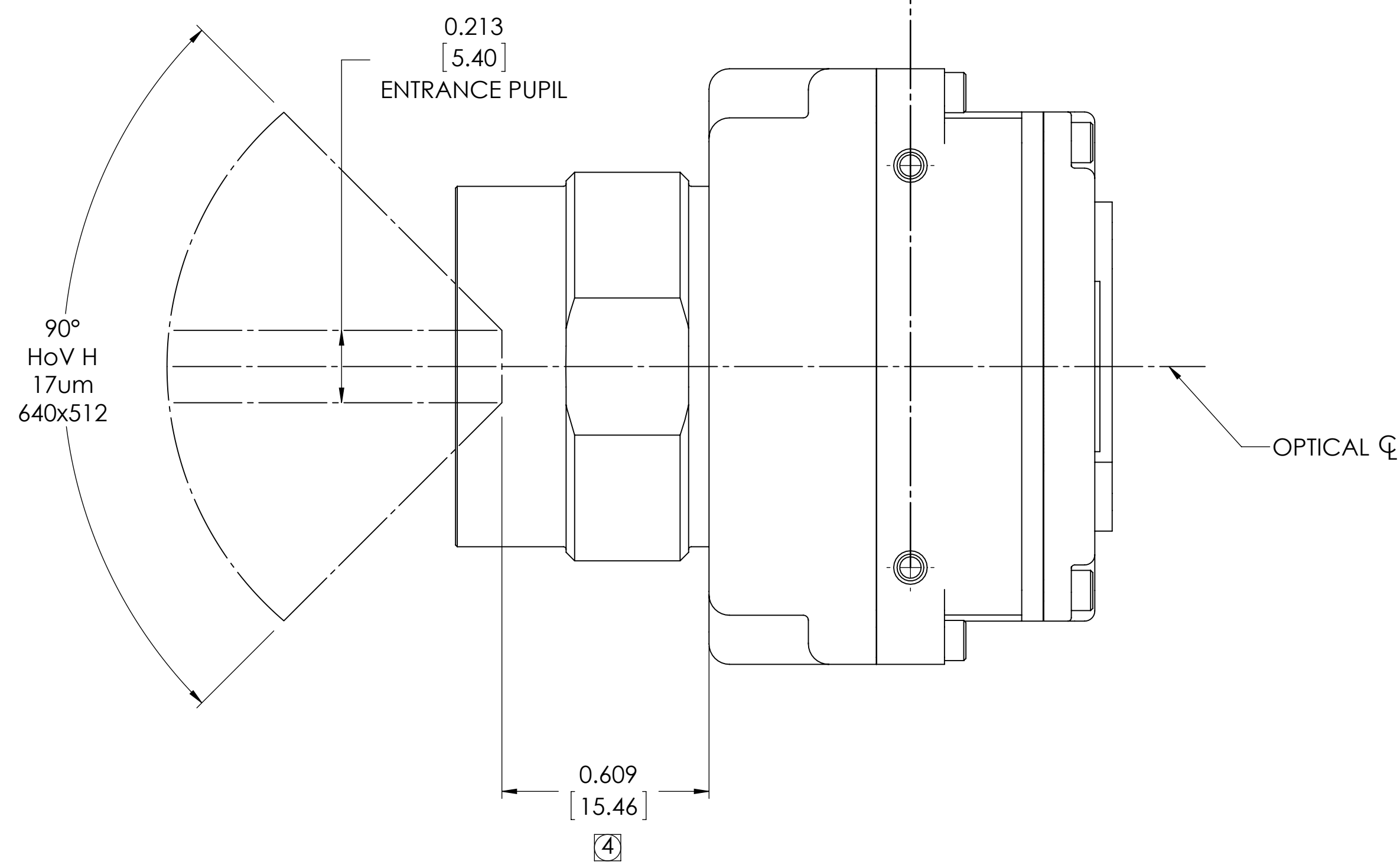
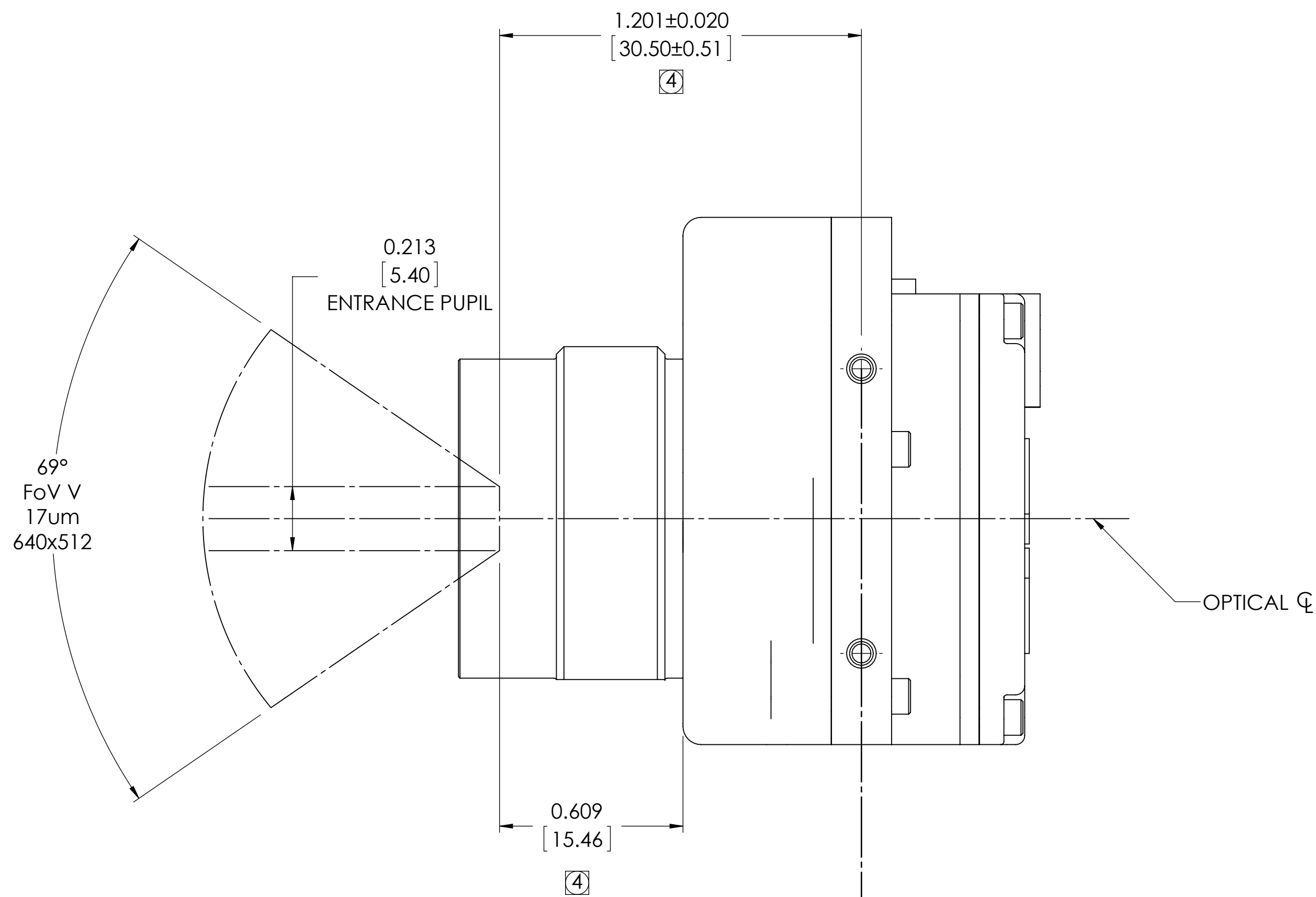
C

B

B

A

A



7.5 mm-f1.4
640x512 ARRAY

IDD, TAU CAMERA,
7.5mm-f1.4, 25um 640x512

SIZE	CAGE	DWG NO.	REV
D	064Y2	46-640, 7.5mm-f1.4	100
SCALE 3:1		PRINTED: 11/1/2011	SHEET 2 OF 2
SOLIDWORKS MODEL: 46-Tau Camera Core MODEL REVISION: B-WC			

DWG NO. 46-640, 7.5mm-f1.4 SH 2 REV 100